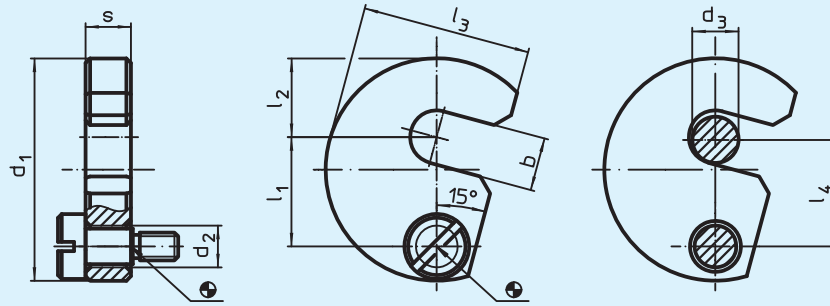


Captive C-Washers

DIN 6371
with
countersunk
screw DIN 923



Material:

Captive C-Washer: • Heat-treated steel, tempered, blackened

Countersunk screw: • Quality 5.8, blackened

Ref. No.	Size	b	d ₁	d ₂	d ₃	l ₁	l ₂	l ₃	l ₄	s -0,2	Suitable screw DIN 923	g
22280.0006	6	7,5	38	9	6	19,6	11	29,0	19	9,8	M 6 x 10	66
22280.0008	8	9,5	43	9	8	21,6	14	32,5	21	9,8	M 6 x 10	81
22280.0010	10	11,5	48	9	10	23,6	17	36,5	23	9,8	M 6 x 10	99
22280.0012	12	13,5	61	11	12	29,6	22	45,0	29	11,8	M 8 x 12	194
22280.0016	16	17,5	68	11	16	33,6	25	50,0	33	11,8	M 8 x 12	229
22280.0020	20	21,5	74	11	20	36,6	28	55,0	36	11,8	M 8 x 12	265
22280.0024	24	25,5	82	11	24	40,6	32	62,0	40	15,8	M 8 x 16	430
22280.0030	30	32,0	97	11	30	49,0	39	73,0	48	15,8	M 8 x 16	584

