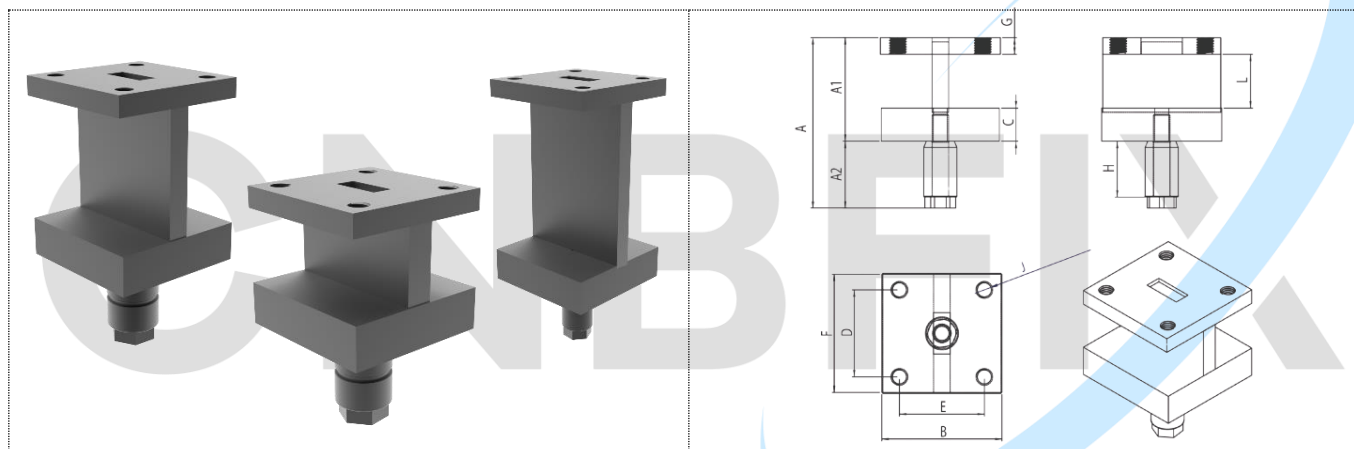


BASE ELEVADA ADAPTADORES PARA MESAS DE SOLDA



Referência	A (in)	A1 (in)	A2 (in)	B (in)	C (in)	D (in)	E (in)	F (in)	G (in)	H (in)	J (in)	L (in)	
MS BE Ø 16 H50 - KF-532/528	82,3 (3,24)	50 (1,96)	32,3 (1,27)	58 (2,28)	16 (0,62)	42 (1,65)	41 (1,61)	57 (2,24)	8 (0,31)	27 (1,06)	M8	26(1,02)	0,76 (1,67)
MS BE Ø 22 H50 - KF-532/528	88,4 (3,48)	51 (1,96)	36,4 (1,43)	58 (2,28)	16 (0,62)	42 (1,65)	41 (1,61)	57 (2,24)	8 (0,31)	30 (1,18)	M8	26(1,02)	0,82 (1,80)
MS BE Ø 28 H50 - KF-532/528	95,5 (3,75)	52 (1,96)	42,5 (1,67)	58 (2,28)	16 (0,62)	42 (1,65)	41 (1,61)	57 (2,24)	8 (0,31)	35 (1,37)	M8	26(1,02)	0,91 (2,00)
MS BE Ø 16 H75 - KF-532/528	107,3 (4,22)	75 (2,95)	32,3 (1,27)	58 (2,28)	16 (0,62)	42 (1,65)	41 (1,61)	57 (2,24)	8 (0,31)	27 (1,06)	M8	51 (2,00)	0,85 (1,87)
MS BE Ø 22 H75 - KF-532/528	111,4 (4,38)	75 (2,95)	36,4 (1,43)	58 (2,28)	16 (0,62)	42 (1,65)	41 (1,61)	57 (2,24)	8 (0,31)	30 (1,18)	M8	51 (2,00)	0,51 (2,00)
MS BE Ø 28 H75 - KF-532/528	117,5 (4,62)	75 (2,95)	42,5 (1,67)	58 (2,28)	16 (0,62)	42 (1,65)	41 (1,61)	57 (2,24)	8 (0,31)	35 (1,37)	M8	51 (2,00)	0,995 (2,19)
MS BE Ø 16 H100 - KF-532/528	132,3 (5,20)	100 (3,93)	32,3 (1,27)	58 (2,28)	16 (0,62)	42 (1,65)	41 (1,61)	57 (2,24)	8 (0,31)	27 (1,06)	M8	78 (3,07)	0,942 (2,07)
MS BE Ø 22 H100 - KF-532/528	136,4 (5,37)	100 (3,93)	36,4 (1,43)	58 (2,28)	16 (0,62)	42 (1,65)	41 (1,61)	57 (2,24)	8 (0,31)	30 (1,18)	M8	78 (3,07)	1,005 (2,21)
MS BE Ø 28 H100 - KF-532/528	145,5 (5,72)	100 (3,93)	42,5 (1,67)	58 (2,28)	16 (0,62)	42 (1,65)	41 (1,61)	57 (2,24)	8 (0,31)	35 (1,37)	M8	78 (3,07)	1,085 (2,39)