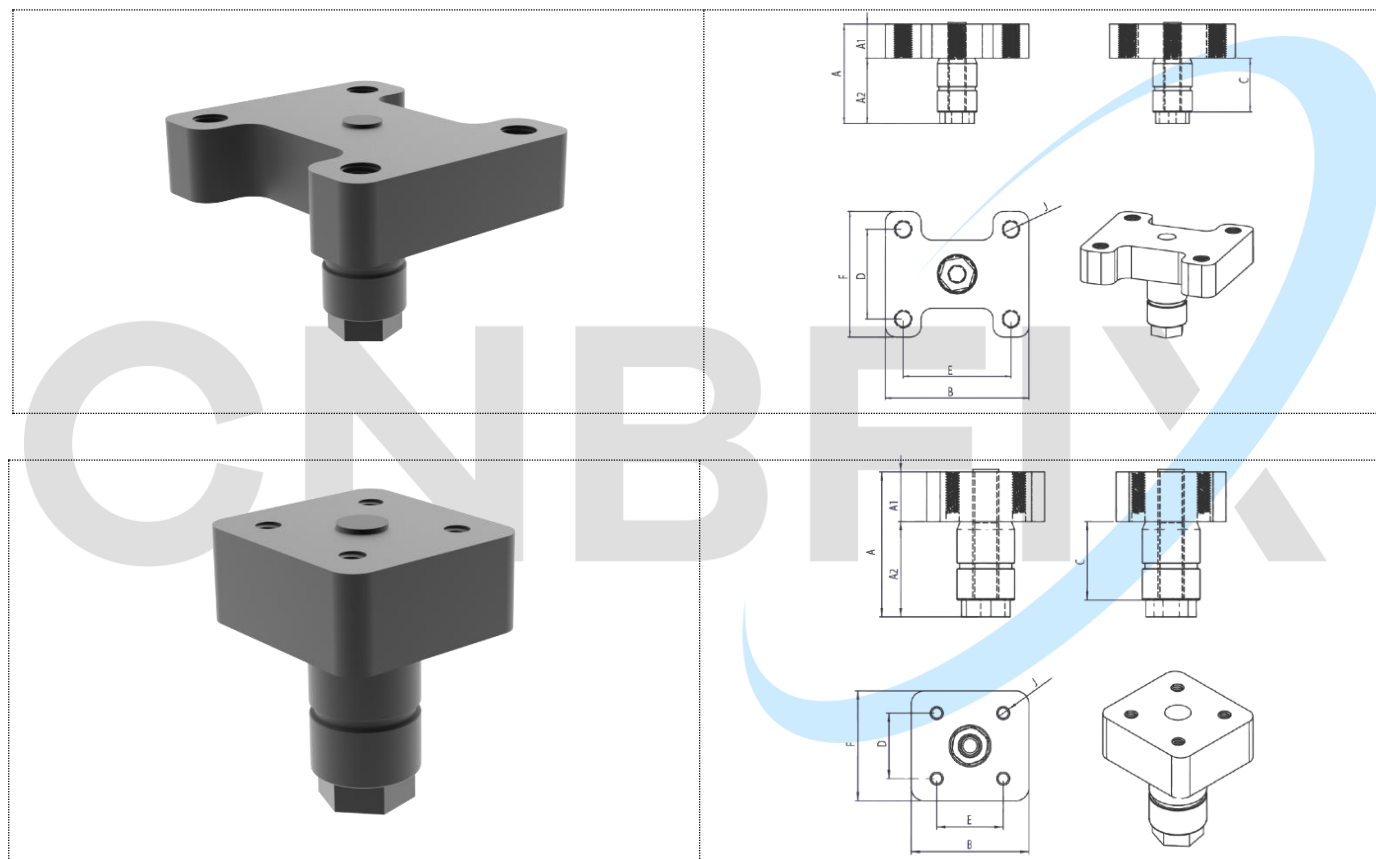



# BASE HORIZONTAL ADAPTADORES PARA MESAS DE SOLDA



| Referência                 | A (in)      | A1 (in)     | A2 (in)     | B (in)    | C (in)    | D (in)    | E (in)    | F (in)    | J (in) |  |
|----------------------------|-------------|-------------|-------------|-----------|-----------|-----------|-----------|-----------|--------|---|
| <b>MS BH Ø 16 - KF-052</b> | 48,3 (1,90) | 16 (0,62)   | 32,3 (1,27) | 80 (3,14) | 27 (1,06) | 50 (1,96) | 60 (2,36) | 70 (2,75) | M10    | 0,56 (1,23)   |
| <b>MS BH Ø 22 - KF-052</b> | 55,4 (2,18) | 19 (0,74)   | 36,4 (1,43) | 80 (3,14) | 30 (1,18) | 50 (1,96) | 60 (2,36) | 71 (2,75) | M10    | 0,713 (1,57)  |
| <b>MS BH Ø 28 - KF-052</b> | 67,9 (2,67) | 25,4 (1,00) | 42,5 (1,67) | 80 (3,14) | 35 (1,37) | 50 (1,96) | 60 (2,36) | 72 (2,75) | M10    | 0,997 (2,19)  |
| <b>MS BH Ø 16 - KF-057</b> | 48,3 (1,90) | 16 (0,62)   | 32,3 (1,27) | 50 (1,96) | 27 (1,06) | 35 (1,37) | 40 (1,57) | 55 (2,16) | M6     | 0,43 (0,94)   |
| <b>MS BH Ø 22 - KF-057</b> | 55,4 (2,18) | 19 (0,74)   | 36,4 (1,43) | 50 (1,96) | 30 (1,18) | 35 (1,37) | 40 (1,57) | 55 (2,16) | M6     | 0,43 (0,94)   |
| <b>MS BH Ø 28 - KF-057</b> | 67,9 (2,67) | 25,4 (1,00) | 42,5 (1,67) | 50 (1,96) | 35 (1,37) | 35 (1,37) | 40 (1,57) | 55 (2,16) | M6     | 0,62 (1,36)   |
| <b>MS BH Ø 16 - KF-511</b> | 48,3 (1,90) | 16 (0,62)   | 32,3 (1,27) | 36 (1,41) | 27 (1,06) | 24 (0,94) | 26 (1,02) | 37 (1,45) | M6     | 0,558 (1,23)  |
| <b>MS BH Ø 22 - KF-511</b> | 55,4 (2,18) | 19 (0,74)   | 36,4 (1,43) | 36 (1,41) | 30 (1,18) | 24 (0,94) | 26 (1,02) | 37 (1,45) | M6     | 0,296 (0,65)  |

|                            |             |             |             |           |           |             |            |           |     |              |
|----------------------------|-------------|-------------|-------------|-----------|-----------|-------------|------------|-----------|-----|--------------|
| <b>MS BH Ø 28 - KF-511</b> | 67,9 (2,67) | 25,4 (1,00) | 42,5 (1,67) | 36 (1,41) | 35 (1,37) | 24 (0,94)   | 26 (1,02)  | 37 (1,45) | M6  | 0,44 (0,97)  |
| <b>MS BH Ø 16 - KF-521</b> | 48,3 (1,90) | 16 (0,62)   | 32,3 (1,27) | 45 (1,77) | 27 (1,06) | 25,4 (1,00) | 24 (0,944) | 42 (1,65) | M8  | 0,278 (0,61) |
| <b>MS BH Ø 22 - KF-521</b> | 55,4 (2,18) | 19 (0,74)   | 36,4 (1,43) | 46 (1,77) | 30 (1,18) | 25,4 (1,00) | 24 (0,944) | 42 (1,65) | M8  | 0,38 (0,83)  |
| <b>MS BH Ø 28 - KF-521</b> | 67,9 (2,67) | 25,4 (1,00) | 42,5 (1,67) | 47 (1,77) | 35 (1,37) | 25,4 (1,00) | 24 (0,944) | 42 (1,65) | M8  | 0,553 (1,21) |
| <b>MS BH Ø 16 - KF-531</b> | 48,3 (1,90) | 16 (0,62)   | 32,3 (1,27) | 50 (1,96) | 27 (1,06) | 32 (1,25)   | 37 (1,45)  | 55 (2,16) | M10 | 0,363 (0,80) |
| <b>MS BH Ø 22 - KF-531</b> | 55,4 (2,18) | 19 (0,74)   | 36,4 (1,43) | 50 (1,96) | 30 (1,18) | 32 (1,25)   | 37 (1,45)  | 55 (2,16) | M10 | 0,483 (1,06) |
| <b>MS BH Ø 28 - KF-531</b> | 67,9 (2,67) | 25,4 (1,00) | 42,5 (1,67) | 50 (1,96) | 35 (1,37) | 32 (1,25)   | 37 (1,45)  | 55 (2,16) | M10 | 0,691 (1,52) |
| <b>MS BH Ø 16 - KF-532</b> | 48,3 (1,90) | 16 (0,62)   | 32,3 (1,27) | 57 (2,24) | 27 (1,06) | 41 (1,61)   | 42 (1,65)  | 58 (2,28) | M10 | 0,442 (0,97) |
| <b>MS BH Ø 22 - KF-532</b> | 55,4 (2,18) | 19 (0,74)   | 36,4 (1,43) | 58 (2,24) | 30 (1,18) | 41 (1,61)   | 42 (1,65)  | 58 (2,28) | M10 | 0,577 (1,27) |
| <b>MS BH Ø 28 - KF-532</b> | 67,9 (2,67) | 25,4 (1,00) | 42,5 (1,67) | 59 (2,24) | 35 (1,37) | 41 (1,61)   | 42 (1,65)  | 58 (2,28) | M10 | 0,817 (1,80) |
| <b>MS BH Ø 28 - KF-533</b> | 48,3 (1,90) | 16 (0,62)   | 32,3 (1,27) | 49 (1,92) | 27 (1,06) | 41 (1,61)   | 36 (1,41)  | 50 (1,96) | M8  | 0,448 (0,98) |
| <b>MS BH Ø 22 - KF-533</b> | 55,4 (2,18) | 19 (0,74)   | 36,4 (1,43) | 49 (1,92) | 30 (1,18) | 41 (1,61)   | 36 (1,41)  | 50 (1,96) | M8  | 0,583 (1,28) |
| <b>MS BH Ø 28 - KF-533</b> | 67,9 (2,67) | 25,4 (1,00) | 42,5 (1,67) | 49 (1,92) | 35 (1,37) | 41 (1,61)   | 36 (1,41)  | 50 (1,96) | M8  | 0,824 (1,81) |