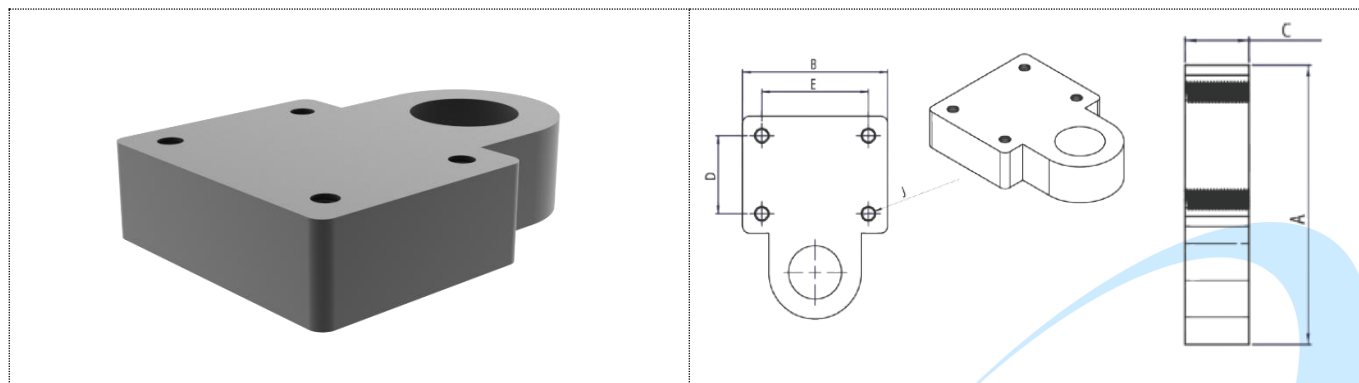



# BASE VERTICAL ADAPTADORES PARA MESAS DE SOLDA



Referência	A (in)	B (in)	C (in)	D (in)	E (in)	J (in)	
<b>MS BV Ø 16 - KF-011</b>	83,2 (3,27)	60 (2,36)	16 (0,62)	32 (1,25)	44 (1,73)	M6	0,48 (1,05)
<b>MS BV Ø 22 - KF-011</b>	83,2 (3,27)	60 (2,36)	19 (0,74)	33 (1,25)	44 (1,73)	M6	0,538 (1,18)
<b>MS BV Ø 28 - KF-011</b>	83,2 (3,27)	60 (2,36)	25,4 (1,00)	25,4 (1,00)	44 (1,73)	M6	0,673 (1,48)
<b>MS BV Ø 16 - KF-111</b>	97,24 (3,82)	60 (2,36)	16 (0,62)	32 (1,25)	44 (1,73)	M8	0,63 (1,38)
<b>MS BV Ø 22 - KF-111</b>	97,24 (3,82)	60 (2,36)	19 (0,740)	33 (1,25)	44 (1,73)	M8	1,27 (1,58)
<b>MS BV Ø 28 - KF-111</b>	97,24 (3,82)	60 (2,36)	25,4 (1,00)	34 (1,25)	44 (1,73)	M8	0,96 (2,11)