

## CN 300 – TRAVA FÊMEA ALAVANCAS

Alavancas manuais ajustáveis com bucha

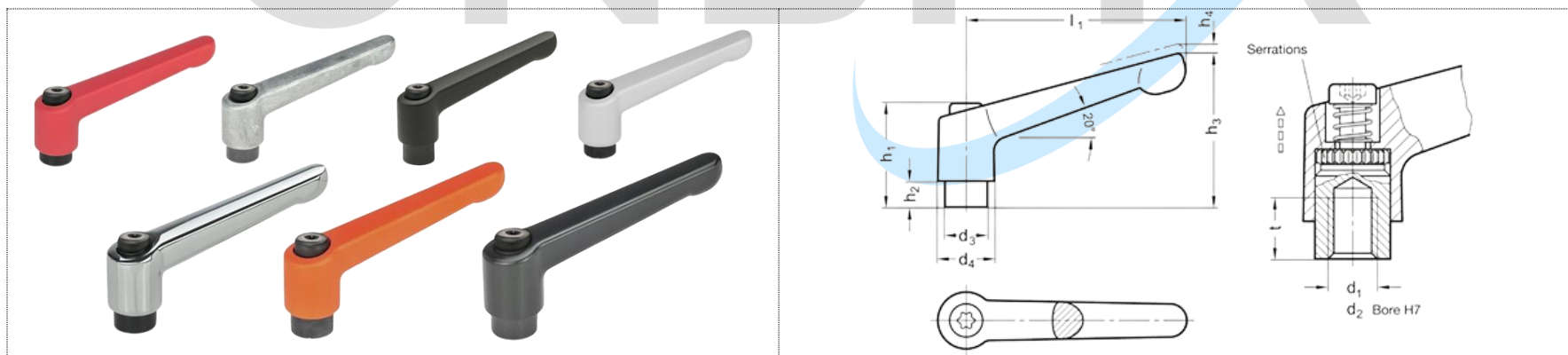
- Fundição em zinco
- Revestido de plástico
- Preto, RAL 9005, acabamento texturizado **SW**
- preto, RAL 9011, acabamento em seda **SZ**
- laranja, RAL 2004, acabamento texturizado **OS**
- vermelho, RAL 3000, acabamento texturizado **RS**
- prata, RAL 9006, acabamento texturizado **SR**


**CR** cromado

- sem revestimento, retificado por deslizamento **RH**

Versão com bucha

- Inserto roscado e parafuso de retenção
- Aço, enegrecido



Descrição	l <sub>1</sub>	d <sub>1</sub>	d <sub>2</sub> H7	d <sub>3</sub>	d <sub>4</sub>	h <sub>1</sub>	h <sub>2</sub>	h <sub>3</sub>	h <sub>4</sub> Stroke	t min.	
<b>CN 300-22-M3-SW</b>	22	M3	-	8	10.5	18.5	2	23	3	5	13
<b>CN 300-22-M3-SZ</b>	22	M3	-	8	10.5	18.5	2	23	3	5	13
<b>CN 300-22-M3-OS</b>	22	M3	-	8	10.5	18.5	2	23	3	5	13
<b>CN 300-22-M3-RS</b>	22	M3	-	8	10.5	18.5	2	23	3	5	13
<b>CN 300-22-M3-SR</b>	22	M3	-	8	10.5	18.5	2	23	3	5	13
<b>CN 300-22-M3-CR</b>	22	M3	-	8	10.5	18.5	2	23	3	5	13
<b>CN 300-22-M3-RH</b>	22	M3	-	8	10.5	18.5	2	23	3	5	13
<b>CN 300-22-M4-SW</b>	22	M4	-	8	10.5	18.5	2	23	3	5	13
<b>CN 300-22-M4-SZ</b>	22	M4	-	8	10.5	18.5	2	23	3	5	13
<b>CN 300-22-M4-OS</b>	22	M4	-	8	10.5	18.5	2	23	3	5	13

<b>CN 300-22-M4-RS</b>	22	M4	-	8	10.5	18.5	2	23	3	5	13
<b>CN 300-22-M4-SR</b>	22	M4	-	8	10.5	18.5	2	23	3	5	13
<b>CN 300-22-M4-CR</b>	22	M4	-	8	10.5	18.5	2	23	3	5	13
<b>CN 300-22-M4-RH</b>	22	M4	-	8	10.5	18.5	2	23	3	5	13
<b>CN 300-22-M5-SW</b>	22	M5	-	8	10.5	18.5	2	23	3	5	13
<b>CN 300-22-M5-SZ</b>	22	M5	-	8	10.5	18.5	2	23	3	5	13
<b>CN 300-22-M5-OS</b>	22	M5	-	8	10.5	18.5	2	23	3	5	13
<b>CN 300-22-M5-RS</b>	22	M5	-	8	10.5	18.5	2	23	3	5	13
<b>CN 300-22-M5-SR</b>	22	M5	-	8	10.5	18.5	2	23	3	5	13
<b>CN 300-22-M5-CR</b>	22	M5	-	8	10.5	18.5	2	23	3	5	13
<b>CN 300-22-M5-RH</b>	22	M5	-	8	10.5	18.5	2	23	3	5	13
<b>CN 300-22-B4-SW</b>	22	-	B4	8	10.5	18.5	2	23	3	5	13
<b>CN 300-22-B4-SZ</b>	22	-	B4	8	10.5	18.5	2	23	3	5	13
<b>CN 300-22-B4-OS</b>	22	-	B4	8	10.5	18.5	2	23	3	5	13

<b>CN 300-22-B4-RS</b>	22	-	B4	8	10.5	18.5	2	23	3	5	13
<b>CN 300-22-B4-SR</b>	22	-	B4	8	10.5	18.5	2	23	3	5	13
<b>CN 300-22-B4-CR</b>	22	-	B4	8	10.5	18.5	2	23	3	5	13
<b>CN 300-22-B4-RH</b>	22	-	B4	8	10.5	18.5	2	23	3	5	13
<b>CN 300-22-B5-SW</b>	22	-	B5	8	10.5	18.5	2	23	3	5	13
<b>CN 300-22-B5-SZ</b>	22	-	B5	8	10.5	18.5	2	23	3	5	13
<b>CN 300-22-B5-OS</b>	22	-	B5	8	10.5	18.5	2	23	3	5	13
<b>CN 300-22-B5-RS</b>	22	-	B5	8	10.5	18.5	2	23	3	5	13
<b>CN 300-22-B5-SR</b>	22	-	B5	8	10.5	18.5	2	23	3	5	13
<b>CN 300-22-B5-CR</b>	22	-	B5	8	10.5	18.5	2	23	3	5	13
<b>CN 300-22-B5-RH</b>	22	-	B5	8	10.5	18.5	2	23	3	5	13
<b>CN 300-30-M3-SW</b>	30	M3	-	10	13	24.5	4	31	3.5	7	26
<b>CN 300-30-M3-SZ</b>	30	M3	-	10	13	24.5	4	31	3.5	7	26
<b>CN 300-30-M3-OS</b>	30	M3	-	10	13	24.5	4	31	3.5	7	26

<b>CN 300-30-M3-RS</b>	30	M3	-	10	13	24.5	4	31	3.5	7	26
<b>CN 300-30-M3-SR</b>	30	M3	-	10	13	24.5	4	31	3.5	7	26
<b>CN 300-30-M3-CR</b>	30	M3	-	10	13	24.5	4	31	3.5	7	26
<b>CN 300-30-M3-RH</b>	30	M3	-	10	13	24.5	4	31	3.5	7	26
<b>CN 300-30-B5-SW</b>	30	-	B5	10	13	24.5	4	31	3.5	9	26
<b>CN 300-30-B5-SZ</b>	30	-	B5	10	13	24.5	4	31	3.5	9	26
<b>CN 300-30-B5-OS</b>	30	-	B5	10	13	24.5	4	31	3.5	9	26
<b>CN 300-30-B5-RS</b>	30	-	B5	10	13	24.5	4	31	3.5	9	26
<b>CN 300-30-B5-SR</b>	30	-	B5	10	13	24.5	4	31	3.5	9	26
<b>CN 300-30-B5-CR</b>	30	-	B5	10	13	24.5	4	31	3.5	9	26
<b>CN 300-30-B5-RH</b>	30	-	B5	10	13	24.5	4	31	3.5	9	26
<b>CN 300-30-B6-SW</b>	30	-	B6	10	13	24.5	4	31	3.5	9	26
<b>CN 300-30-B6-SZ</b>	30	-	B6	10	13	24.5	4	31	3.5	9	26
<b>CN 300-30-B6-OS</b>	30	-	B6	10	13	24.5	4	31	3.5	9	25

<b>CN 300-30-B6-RS</b>	30	-	B6	10	13	24.5	4	31	3.5	9	25
<b>CN 300-30-B6-SR</b>	30	-	B6	10	13	24.5	4	31	3.5	9	25
<b>CN 300-30-B6-CR</b>	30	-	B6	10	13	24.5	4	31	3.5	9	25
<b>CN 300-30-B6-RH</b>	30	-	B6	10	13	24.5	4	31	3.5	9	25
<b>CN 300-30-M4-SW</b>	30	M4	-	10	13	24.5	4	31	3.5	9	27
<b>CN 300-30-M4-SZ</b>	30	M4	-	10	13	24.5	4	31	3.5	9	27
<b>CN 300-30-M4-OS</b>	30	M4	-	10	13	24.5	4	31	3.5	9	27
<b>CN 300-30-M4-RS</b>	30	M4	-	10	13	24.5	4	31	3.5	9	27
<b>CN 300-30-M4-SR</b>	30	M4	-	10	13	24.5	4	31	3.5	9	27
<b>CN 300-30-M4-CR</b>	30	M4	-	10	13	24.5	4	31	3.5	9	27
<b>CN 300-30-M4-RH</b>	30	M4	-	10	13	24.5	4	31	3.5	9	27
<b>CN 300-30-M5-SW</b>	30	M5	-	10	13	24.5	4	31	3.5	9	25
<b>CN 300-30-M5-SZ</b>	30	M5	-	10	13	24.5	4	31	3.5	9	25
<b>CN 300-30-M5-OS</b>	30	M5	-	10	13	24.5	4	31	3.5	9	25

<b>CN 300-30-M5-RS</b>	30	M5	-	10	13	24.5	4	31	3.5	9	25
<b>CN 300-30-M5-SR</b>	30	M5	-	10	13	24.5	4	31	3.5	9	25
<b>CN 300-30-M5-CR</b>	30	M5	-	10	13	24.5	4	31	3.5	9	25
<b>CN 300-30-M5-RH</b>	30	M5	-	10	13	24.5	4	31	3.5	9	25
<b>CN 300-30-M6-SW</b>	30	M6	-	10	13	24.5	4	31	3.5	9	25
<b>CN 300-30-M6-SZ</b>	30	M6	-	10	13	24.5	4	31	3.5	9	25
<b>CN 300-30-M6-OS</b>	30	M6	-	10	13	24.5	4	31	3.5	9	25
<b>CN 300-30-M6-RS</b>	30	M6	-	10	13	24.5	4	31	3.5	9	25
<b>CN 300-30-M6-SR</b>	30	M6	-	10	13	24.5	4	31	3.5	9	25
<b>CN 300-30-M6-CR</b>	30	M6	-	10	31	24.5	4	31	3.5	9	25
<b>CN 300-30-M6-RH</b>	30	M6	-	10	13	24.5	4	31	3.5	9	25
<b>CN 300-45-M4-SW</b>	45	M4	-	10	13	24.5	4	34	3.5	9	35
<b>CN 300-45-M4-SZ</b>	45	M4	-	10	13	24.5	4	34	3.5	9	35
<b>CN 300-45-M4-OS</b>	45	M4	-	10	13	24.5	4	34	3.5	9	35

<b>CN 300-45-M4-RS</b>	45	M4	-	10	13	24.5	4	34	3.5	9	35
<b>CN 300-45-M4-SR</b>	45	M4	-	10	13	24.5	4	34	3.5	9	35
<b>CN 300-45-M4-CR</b>	45	M4	-	10	13	24.5	4	34	3.5	9	35
<b>CN 300-45-M4-RH</b>	45	M4	-	10	13	24.5	4	34	3.5	9	35
<b>CN 300-45-M5-SW</b>	45	M5	-	10	13	24.5	4	34	3.5	9	34
<b>CN 300-45-M5-SZ</b>	45	M5	-	10	13	24.5	4	34	3.5	9	34
<b>CN 300-45-M5-OS</b>	45	M5	-	10	13	24.5	4	34	3.5	9	34
<b>CN 300-45-M5-RS</b>	45	M5	-	10	13	24.5	4	34	3.5	9	34
<b>CN 300-45-M5-SR</b>	45	M5	-	10	13	24.5	4	34	3.5	9	34
<b>CN 300-45-M5-CR</b>	45	M5	-	10	13	24.5	4	34	3.5	9	34
<b>CN 300-45-M5-RH</b>	45	M5	-	10	13	24.5	4	34	3.5	9	34
<b>CN 300-45-M6-SW</b>	45	M6	-	10	13	24.5	4	34	3.5	9	33
<b>CN 300-45-M6-SW</b>	45	M6	-	10	13	24.5	4	34	3.5	9	33
<b>CN 300-45-M6-OS</b>	45	M6	-	10	13	24.5	4	34	3.5	9	33



<b>CN 300-45-M6-RS</b>	45	M6	-	10	13	24.5	4	34	3.5	9	33
<b>CN 300-45-M6-SR</b>	45	M6	-	10	13	24.5	4	34	3.5	9	33
<b>CN 300-45-M6-CR</b>	45	M6	-	10	13	24.5	4	34	3.5	9	33
<b>CN 300-45-M6-RH</b>	45	M6	-	10	13	24.5	4	34	3.5	9	33
<b>CN 300-45-B5-SW</b>	45	-	B5	10	13	24.5	4	34	3.5	9	34
<b>CN 300-45-B5-SZ</b>	45	-	B5	10	13	24.5	4	34	3.5	9	34
<b>CN 300-45-B5-OS</b>	45	-	B5	10	13	24.5	4	34	3.5	9	34
<b>CN 300-45-B5-RS</b>	45	-	B5	10	13	24.5	4	34	3.5	9	34
<b>CN 300-45-B5-SR</b>	45	-	B5	10	13	24.5	4	34	3.5	9	34
<b>CN 300-45-B5-CR</b>	45	-	B5	10	13	24.5	4	34	3.5	9	34
<b>CN 300-45-B5-RH</b>	45	-	B5	10	13	24.5	4	34	3.5	9	34
<b>CN 300-45-B6-SW</b>	45	-	B6	10	13	24.5	4	34	3.5	9	33
<b>CN 300-45-B6-SZ</b>	45	-	B6	10	13	24.5	4	34	3.5	9	33
<b>CN 300-45-B6-OS</b>	45	-	B6	10	13	24.5	4	34	3.5	9	33

<b>CN 300-45-B6-RS</b>	45	-	B6	10	13	24.5	4	34	3.5	9	33
<b>CN 300-45-B6-SR</b>	45	-	B6	10	13	24.5	4	34	3.5	9	33
<b>CN 300-45-B6-CR</b>	45	-	B6	10	13	24.5	4	34	3.5	9	33
<b>CN 300-45-B6-RH</b>	45	-	B6	10	13	24.5	4	34	3.5	9	33
<b>CN 300-63-M6-SW</b>	63	M6	-	13.5	17.5	31	6.5	45	4	11	76
<b>CN 300-63-M6-SZ</b>	63	M6	-	13.5	17.5	31	6.5	45	4	11	76
<b>CN 300-63-M6-OS</b>	63	M6	-	13.5	17.5	31	6.5	45	4	11	76
<b>CN 300-63-M6-RS</b>	63	M6	-	13.5	17.5	31	6.5	45	4	11	76
<b>CN 300-63-M6-SR</b>	63	M6	-	13.5	17.5	31	6.5	45	4	11	76
<b>CN 300-63-M6-CR</b>	63	M6	-	13.5	17.5	31	6.5	45	4	11	74
<b>CN 300-63-M6-RH</b>	63	M6	-	13.5	17.5	31	6.5	45	4	11	74
<b>CN 300-63-M8-SW</b>	63	M8	-	13.5	17.5	31	6.5	45	4	11	74
<b>CN 300-63-M8-SZ</b>	63	M8	-	13.5	17.5	31	6.5	45	4	11	74
<b>CN 300-63-M8-OS</b>	63	M8	-	13.5	17.5	31	6.5	45	4	11	74

<b>CN 300-63-M8-RS</b>	63	M8	-	13.5	17.5	31	6.5	45	4	11	74
<b>CN 300-63-M8-SR</b>	63	M8	-	13.5	17.5	31	6.5	45	4	11	74
<b>CN 300-63-M8-CR</b>	63	M8	-	13.5	17.5	31	6.5	45	4	11	74
<b>CN 300-63-M8-RH</b>	63	M8	-	13.5	17.5	31	6.5	45	4	11	74
<b>CN 300-63-B8-SW</b>	63	-	B8	13.5	17.5	31	6.5	45	4	11	71
<b>CN 300-63-B8-SZ</b>	63	-	B8	13.5	17.5	31	6.5	45	4	11	71
<b>CN 300-63-B8-OS</b>	63	-	B8	13.5	17.5	31	6.5	45	4	11	71
<b>CN 300-63-B8-RS</b>	63	-	B8	13.5	17.5	331	6.5	45	4	11	71
<b>CN 300-63-B8-SR</b>	63	-	B8	13.5	17.5	31	6.5	45	4	11	71
<b>CN 300-63-B8-CR</b>	63	-	B8	13.5	17.5	31	6.5	45	4	11	71
<b>CN 300-63-B8-RH</b>	63	-	B8	13.5	17.5	31	6.5	45	4	11	71
<b>CN 300-78-B8-SW</b>	78	-	B8	16	21	36	8	54	4	14	122
<b>CN 300-78-B8-SZ</b>	78	-	B8	16	21	36	8	54	4	14	122
<b>CN 300-78-B8-OS</b>	78	-	B8	16	21	36	8	54	4	14	122

<b>CN 300-78-B8-RS</b>	78	-	B8	16	21	36	8	54	4	14	122
<b>CN 300-78-B8-SR</b>	78	-	B8	16	21	36	8	54	4	14	122
<b>CN 300-78-B8-CR</b>	78	-	B8	16	21	36	8	54	4	14	122
<b>CN 300-78-B8-RH</b>	78	-	B8	16	21	36	8	54	4	14	122
<b>CN 300-78-B10-SW</b>	78	-	B10	16	21	36	8	54	4	14	118
<b>CN 300-78-B10-SZ</b>	78	-	B10	16	21	36	8	54	4	14	118
<b>CN 300-78-B10-OS</b>	78	-	B10	16	21	36	8	54	4	14	118
<b>CN 300-78-B10-RS</b>	78	-	B10	16	21	36	8	54	4	14	118
<b>CN 300-78-B10-SR</b>	78	-	B10	16	21	36	8	54	4	14	118
<b>CN 300-78-B10-CR</b>	78	-	B10	16	21	36	8	54	4	14	118
<b>CN 300-78-B10-RH</b>	78	-	B10	16	21	36	8	54	4	14	118
<b>CN 300-78-M8-SW</b>	78	M8	-	16	21	36	8	54	4	14	121
<b>CN 300-78-M8-SZ</b>	78	M8	-	16	21	36	8	54	4	14	121
<b>CN 300-78-M8-OS</b>	78	M8	-	16	21	36	8	54	4	14	121

<b>CN 300-78-M8-RS</b>	78	M8	-	16	21	36	8	54	4	14	121
<b>CN 300-78-M8-SR</b>	78	M8	-	16	21	36	8	54	4	14	121
<b>CN 300-78-M8-CR</b>	78	M8	-	16	21	36	8	54	4	14	121
<b>CN 300-78-M8-RH</b>	78	M8	-	16	21	36	8	54	4	14	121
<b>CN 300-78-M10-SW</b>	78	M10	-	16	21	36	8	54	4	14	118
<b>CN 300-78-M10-SZ</b>	78	M10	-	16	21	36	8	54	4	14	118
<b>CN 300-78-M10-OS</b>	78	M10	-	16	21	36	8	54	4	14	118
<b>CN 300-78-M10-RS</b>	78	M10	-	16	21	36	8	54	4	14	118
<b>CN 300-78-M10-SR</b>	78	M10	-	16	21	36	8	54	4	14	118
<b>CN 300-78-M10-CR</b>	78	M10	-	16	21	36	8	54	4	14	118
<b>CN 300-78-M10-RH</b>	78	M10	-	16	21	36	8	54	4	14	118
<b>CN 300-78-M12-SW</b>	78	M12	-	16	21	36	8	54	4	14	114
<b>CN 300-78-M12-SZ</b>	78	M12	-	16	21	36	8	54	4	14	114
<b>CN 300-78-M12-OS</b>	78	M12	-	16	21	36	8	54	4	14	114

<b>CN 300-78-M12-RS</b>	78	M12	-	16	21	36	8	54	4	14	114
<b>CN 300-78-M12-SR</b>	78	M12	-	16	21	36	8	54	4	14	114
<b>CN 300-78-M12-CR</b>	78	M12	-	16	21	36	8	54	4	14	114
<b>CN 300-78-M12-RH</b>	78	M12	-	16	21	36	8	54	4	14	114
<b>CN 300-92-M10-SW</b>	92	M10	-	19	24	43	11	64	4	17	177
<b>CN 300-92-M10-SZ</b>	92	M10	-	19	24	43	11	64	4	17	177
<b>CN 300-92-M10-OS</b>	92	M10	-	19	24	43	11	64	4	17	177
<b>CN 300-92-M10-RS</b>	92	M10	-	19	24	43	11	64	4	17	177
<b>CN 300-92-M10-SR</b>	92	M10	-	19	24	43	11	64	4	17	177
<b>CN 300-92-M10-CR</b>	92	M10	-	19	24	43	11	64	4	17	177
<b>CN 300-92-M10-RH</b>	92	M10	-	19	24	43	11	64	4	17	177
<b>CN 300-92-M12-SW</b>	92	M12	-	19	24	43	11	64	4	17	172
<b>CN 300-92-M12-SZ</b>	92	M12	-	19	24	43	11	64	4	17	172
<b>CN 300-92-M12-OS</b>	92	M12	-	19	24	43	11	64	4	17	172

<b>CN 300-92-M12-RS</b>	92	M12	-	19	24	43	11	64	4	17	172
<b>CN 300-92-M12-SR</b>	92	M12	-	19	24	43	11	64	4	17	172
<b>CN 300-92-M12-CR</b>	92	M12	-	19	24	43	11	64	4	17	172
<b>CN 300-92-M12-RH</b>	92	M12	-	19	24	43	11	64	4	17	172
<b>CN 300-92-B12-SW</b>	92	-	B12	19	24	43	11	64	4	17	172
<b>CN 300-92-B12-SZ</b>	92	-	B12	19	24	43	11	64	4	17	172
<b>CN 300-92-B12-OS</b>	92	-	B12	19	24	43	11	64	4	17	172
<b>CN 300-92-B12-RS</b>	92	-	B12	19	24	43	11	64	4	17	172
<b>CN 300-92-B12-SR</b>	92	-	B12	19	24	43	11	64	4	17	172
<b>CN 300-92-B12-CR</b>	92	-	B12	19	24	43	11	64	4	17	172
<b>CN 300-92-B12-RH</b>	92	-	B12	19	24	43	11	64	4	17	172
<b>CN 300-108-M12-SW</b>	108	M12	-	23	30	50.5	12	75	5	22	299
<b>CN 300-108-M12-SZ</b>	108	M12	-	23	30	50.5	12	75	5	22	299
<b>CN 300-108-M12-OS</b>	108	M12	-	23	30	50.5	12	75	5	22	299

<b>CN 300-108-M12-RS</b>	108	M12	-	23	30	50.5	12	75	5	22	299
<b>CN 300-108-M12-SR</b>	108	M12	-	23	30	50.5	12	75	5	22	299
<b>CN 300-108-M12-CR</b>	108	M12	-	23	30	50.5	12	75	5	22	299
<b>CN 300-108-M12-RH</b>	108	M12	-	23	30	50.5	12	75	5	22	299
<b>CN 300-108-M14-SW</b>	108	M14	-	23	30	50.5	12	75	5	22	291
<b>CN 300-108-M14-SZ</b>	108	M14	-	23	30	50.5	12	75	5	22	291
<b>CN 300-108-M14-OS</b>	108	M14	-	23	30	50.5	12	75	5	22	291
<b>CN 300-108-M14-RS</b>	108	M14	-	23	30	50.5	12	75	5	22	291
<b>CN 300-108-M14-SR</b>	108	M14	-	23	30	50.5	12	75	5	22	291
<b>CN 300-108-M14-CR</b>	108	M14	-	23	30	50.5	12	75	5	22	291
<b>CN 300-108-M14-RH</b>	108	M14	-	23	30	50.5	12	75	5	22	291
<b>CN 300-108-M16-SW</b>	108	M16	-	23	30	50.5	12	75	5	22	282
<b>CN 300-108-M16-SZ</b>	108	M16	-	23	30	50.5	12	75	5	22	282
<b>CN 300-108-M16-OS</b>	108	M16	-	23	30	50.5	12	75	5	22	282



<b>CN 300-108-M16-RS</b>	108	M16	-	23	30	50.5	12	75	5	22	282
<b>CN 300-108-M16-SR</b>	108	M16	-	23	30	50.5	12	75	5	22	282
<b>CN 300-108-M16-CR</b>	108	M16	-	23	30	50.5	12	75	5	22	282
<b>CN 300-108-M16-RH</b>	108	M16	-	23	30	50.5	12	75	5	22	282
<b>CN 300-108-B12-SW</b>	108	-	B12	23	30	50.5	12	75	5	22	299
<b>CN 300-108-B12-SZ</b>	108	-	B12	23	30	50.5	12	75	5	22	299
<b>CN 300-108-B12-OS</b>	108	-	B12	23	30	50.5	12	75	5	22	299
<b>CN 300-108-B12-RS</b>	108	-	B12	23	30	50.5	12	75	5	22	299
<b>CN 300-108-B12-SR</b>	108	-	B12	23	30	50.5	12	75	5	22	299
<b>CN 300-108-B12-CR</b>	108	-	B12	23	30	50.5	12	75	5	22	299
<b>CN 300-108-B12-RH</b>	108	-	B12	23	30	50.5	12	75	5	22	299
<b>CN 300-108-B16-SW</b>	108	-	B16	23	30	50.5	12	75	5	22	297
<b>CN 300-108-B16-SZ</b>	108	-	B16	23	30	50.5	12	75	5	22	297
<b>CN 300-108-B16-OS</b>	108	-	B16	23	30	50.5	12	75	5	22	297

<b>CN 300-108-B16-RS</b>	108	-	B16	23	30	50.5	12	75	5	22	297
<b>CN 300-108-B16-SR</b>	108	-	B16	23	30	50.5	12	75	5	22	297
<b>CN 300-108-B16-CR</b>	108	-	B16	23	30	50.5	12	75	5	22	297
<b>CN 300-108-B16-RH</b>	108	-	B16	23	30	50.5	12	75	5	22	297

CNBFIX