

## CN 300 – TRAVA MACHO ALAVANCAS

Alavancas manuais ajustáveis com bucha

- Fundição em zinco
- Revestido de plástico
- Preto, **RAL 9005**, acabamento texturizado **SW**
- preto, **RAL 9011**, acabamento em seda **SZ**
- laranja, **RAL 2004**, acabamento texturizado **OS**
- vermelho, **RAL 3000**, acabamento texturizado **RS**
- prata, **RAL 9006**, acabamento texturizado **SR**

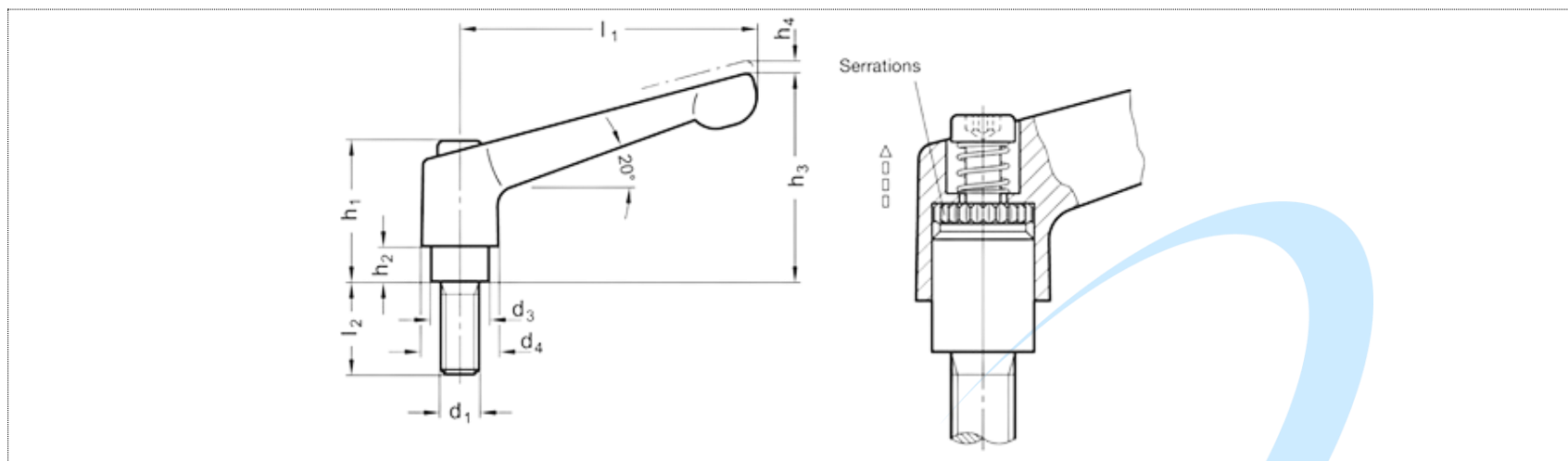
### CR cromado


- sem revestimento, retificado por deslizamento **RH**

### Versão com pino roscado

- Pino roscado e parafuso de retenção
- Aço, enegrecido





Descrição	eu 1	d1	eu 2	d3	d4	h1	h2	h3	h4	Curso	
<b>CN 300-22-M3-6-SW</b>	22	M3	6	8	10.5	18.5	2	23	3	14	
<b>CN 300-22-M3-6-SZ</b>	22	M3	6	8	10.5	18.5	2	23	3	14	
<b>CN 300-22-M3-6-OS</b>	22	M3	6	8	10.5	18.5	2	23	3	14	
<b>CN 300-22-M3-6-RS</b>	22	M3	6	8	10.5	18.5	2	23	3	14	

<b>CN 300-22-M3-6-SR</b>	22	M3	6	8	10.5	18.5	2	23	3	14
<b>CN 300-22-M3-6-CR</b>	22	M3	6	8	10.5	18.5	2	23	3	14
<b>CN 300-22-M3-6-RH</b>	22	M3	6	8	10.5	18.5	2	23	3	14
<b>CN 300-22-M3-8-SW</b>	22	M3	8	8	10.5	18.5	2	23	3	14
<b>CN 300-22-M3-8-SZ</b>	22	M3	8	8	10.5	18.5	2	23	3	14
<b>CN 300-22-M3-8-OS</b>	22	M3	8	8	10.5	18.5	2	23	3	14
<b>CN 300-22-M3-8-RS</b>	22	M3	8	8	10.5	18.5	2	23	3	14
<b>CN 300-22-M3-8-SR</b>	22	M3	8	8	10.5	18.5	2	23	3	14
<b>CN 300-22-M3-8-CR</b>	22	M3	8	8	10.5	18.5	2	23	3	14
<b>CN 300-22-M3-8-RH</b>	22	M3	8	8	10.5	18.5	2	23	3	14
<b>CN 300-22-M3-10-SW</b>	22	M3	10	8	10.5	18.5	2	23	3	14
<b>CN 300-22-M3-10-SZ</b>	22	M3	10	8	10.5	18.5	2	23	3	14
<b>CN 300-22-M3-10-OS</b>	22	M3	10	8	10.5	18.5	2	23	3	14
<b>CN 300-22-M3-10-RS</b>	22	M3	10	8	10.5	18.5	2	23	3	14

<b>CN 300-22-M3-10-SR</b>	22	M3	10	8	10.5	18.5	2	23	3	14
<b>CN 300-22-M3-10-CR</b>	22	M3	10	8	10.5	18.5	2	23	3	14
<b>CN 300-22-M3-10-RH</b>	22	M3	10	8	10.5	18.5	2	23	3	14
<b>CN 300-22-M3-12-SW</b>	22	M3	12	8	10.5	18.5	2	23	3	14
<b>CN 300-22-M3-12-SZ</b>	22	M3	12	8	10.5	18.5	2	23	3	14
<b>CN 300-22-M3-12-OS</b>	22	M3	12	8	10.5	18.5	2	23	3	14
<b>CN 300-22-M3-12-RS</b>	22	M3	12	8	10.5	18.5	2	23	3	14
<b>CN 300-22-M3-12-SR</b>	22	M3	12	8	10.5	18.5	2	23	3	14
<b>CN 300-22-M3-12-CR</b>	22	M3	12	8	10.5	18.5	2	23	3	14
<b>CN 300-22-M3-12-RH</b>	22	M3	12	8	10.5	18.5	2	23	3	14
<b>CN 300-22-M3-16-SW</b>	22	M3	16	8	10.5	18.5	2	23	3	14
<b>CN 300-22-M3-16-SZ</b>	22	M3	16	8	10.5	18.5	2	23	3	14
<b>CN 300-22-M3-16-OS</b>	22	M3	16	8	10.5	18.5	2	23	3	14
<b>CN 300-22-M3-16-RS</b>	22	M3	16	8	10.5	18.5	2	23	3	14

<b>CN 300-22-M3-16-SR</b>	22	M3	16	8	10.5	18.5	2	23	3	14
<b>CN 300-22-M3-16-CR</b>	22	M3	16	8	10.5	18.5	2	23	3	14
<b>CN 300-22-M3-16-RH</b>	22	M3	16	8	10.5	18.5	2	23	3	14
<b>CN 300-22-M4-12-SW</b>	22	M4	12	8	10.5	18.5	2	23	3	14
<b>CN 300-22-M4-12-SZ</b>	22	M4	12	8	10.5	18.5	2	23	3	14
<b>CN 300-22-M4-12-OS</b>	22	M4	12	8	10.5	18.5	2	23	3	14
<b>CN 300-22-M4-12-RS</b>	22	M4	12	8	10.5	18.5	2	23	3	14
<b>CN 300-22-M4-12-SR</b>	22	M4	12	8	10.5	18.5	2	23	3	14
<b>CN 300-22-M4-12-CR</b>	22	M4	12	8	10.5	18.5	2	23	3	14
<b>CN 300-22-M4-12-RH</b>	22	M4	12	8	10.5	18.5	2	23	3	14
<b>CN 300-22-M5-12-SW</b>	22	M5	12	8	10.5	18.5	2	23	3	15
<b>CN 300-22-M5-12-SZ</b>	22	M5	12	8	10.5	18.5	2	23	3	15
<b>CN 300-22-M5-12-OS</b>	22	M5	12	8	10.5	18.5	2	23	3	15
<b>CN 300-22-M5-12-RS</b>	22	M5	12	8	10.5	18.5	2	23	3	15

<b>CN 300-22-M5-12-SR</b>	22	M5	12	8	10.5	18.5	2	23	3	15
<b>CN 300-22-M5-12-CR</b>	22	M5	12	8	10.5	18.5	2	23	3	15
<b>CN 300-22-M5-12-RH</b>	22	M5	12	8	10.5	18.5	2	23	3	15
<b>CN 300-22-M4-16-SW</b>	22	M4	16	8	10.5	18.5	2	23	3	15
<b>CN 300-22-M4-16-SZ</b>	22	M4	16	8	10.5	18.5	2	23	3	15
<b>CN 300-22-M4-16-OS</b>	22	M4	16	8	10.5	18.5	2	23	3	15
<b>CN 300-22-M4-16-RS</b>	22	M4	16	8	10.5	18.5	2	23	3	15
<b>CN 300-22-M4-16-SR</b>	22	M4	16	8	10.5	18.5	2	23	3	15
<b>CN 300-22-M4-16-CR</b>	22	M4	16	8	10.5	18.5	2	23	3	15
<b>CN 300-22-M4-16-RH</b>	22	M4	16	8	10.5	18.5	2	23	3	15
<b>CN 300-22-M5-16-SW</b>	22	M5	16	8	10.5	18.5	2	23	3	15
<b>CN 300-22-M5-16-SZ</b>	22	M5	16	8	10.5	18.5	2	23	3	15
<b>CN 300-22-M5-16-OS</b>	22	M5	16	8	10.5	18.5	2	23	3	15
<b>CN 300-22-M5-16-RS</b>	22	M5	16	8	10.5	18.5	2	23	3	15

<b>CN 300-22-M5-16-SR</b>	22	M5	16	8	10.5	18.5	2	23	3	15
<b>CN 300-22-M5-16-CR</b>	22	M5	16	8	10.5	18.5	2	23	3	15
<b>CN 300-22-M5-16-RH</b>	22	M5	16	8	10.5	18.5	2	23	3	15
<b>CN 300-22-M4-20-SW</b>	22	M4	20	8	10.5	18.5	2	23	3	15
<b>CN 300-22-M4-20-SZ</b>	22	M4	20	8	10.5	18.5	2	23	3	15
<b>CN 300-22-M4-20-OS</b>	22	M4	20	8	10.5	18.5	2	23	3	15
<b>CN 300-22-M4-20-RS</b>	22	M4	20	8	10.5	18.5	2	23	3	15
<b>CN 300-22-M4-20-SR</b>	22	M4	20	8	10.5	18.5	2	23	3	15
<b>CN 300-22-M4-20-CR</b>	22	M4	20	8	10.5	18.5	2	23	3	15
<b>CN 300-22-M4-20-RH</b>	22	M4	20	8	10.5	18.5	2	23	3	15
<b>CN 300-22-M5-20-SW</b>	22	M5	20	8	10.5	18.5	2	23	3	16
<b>CN 300-22-M5-20-SZ</b>	22	M5	20	8	10.5	18.5	2	23	3	16
<b>C N 300-22-M5-20-OS</b>	22	M5	20	8	10.5	18.5	2	23	3	16
<b>CN 300-22-M5-20-RS</b>	22	M5	20	8	10.5	18.5	2	23	3	16

<b>CN 300-22-M5-20-SR</b>	22	M5	20	8	10.5	18.5	2	23	3	16
<b>CN 300-22-M5-20-CR</b>	22	M5	20	8	10.5	18.5	2	23	3	16
<b>CN 300-22-M5-20-RH</b>	22	M5	20	8	10.5	18.5	2	23	3	16
<b>3CN 300-22-M4-25-SW</b>	22	M4	25	8	10.5	18.5	2	23	3	15
<b>1CN 300-22-M4-25-SZ</b>	22	M4	25	8	10.5	18.5	2	23	3	15
<b>CN 300-22-M4-25-OS</b>	22	M4	25	8	10.5	18.5	2	23	3	15
<b>CN 300-22-M4-25-RS</b>	22	M4	25	8	10.5	18.5	2	23	3	15
<b>CN 300-22-M4-25-SR</b>	22	M4	25	8	10.5	18.5	2	23	3	15
<b>CN 300-22-M4-25-CR</b>	22	M4	25	8	10.5	18.5	2	23	3	15
<b>CN 300-22-M4-25-RH</b>	22	M4	25	8	10.5	18.5	2	23	3	15
<b>CN 300-22-M5-25-SW</b>	22	M5	25	8	10.5	18.5	2	23	3	16
<b>CN 300-22-M5-25-SZ</b>	22	M5	25	8	10.5	18.5	2	23	3	16
<b>CN 300-22-M5-25-OS</b>	22	M5	25	8	10.5	18.5	2	23	3	16
<b>CN 300-22-M5-25-RS</b>	22	M5	25	8	10.5	18.5	2	23	3	16



<b>CN 300-22-M5-25-SR</b>	22	M5	25	8	10.5	18.5	82	23	3	16
<b>CN 300-22-M5-25-CR</b>	22	M5	25	8	10.5	18.5	2	23	3	16
<b>CN 300-22-M5-25-RH</b>	22	M5	25	8	10.5	18.5	2	23	3	16
<b>CN 300-22-M4-32-SW</b>	22	M4	32	8	10.5	18.5	2	23	3	16
<b>CN 300-22-M4-32-SZ</b>	22	M4	32	8	10.5	18.5	2	23	3	16
<b>CN 300-22-M4-32-OS</b>	22	M4	32	8	10.5	18.5	2	23	3	16
<b>CN 300-22-M4-32-RS</b>	22	M4	32	8	10.5	18.5	2	23	3	16
<b>CN 300-22-M4-32-SR</b>	22	M4	32	8	10.5	18.5	2	23	3	16
<b>CN 300-22-M4-32-CR</b>	22	M4	32	8	10.5	18.2	2	23	3	16
<b>CN 300-22-M4-32-RH</b>	22	M4	32	8	10.5	18.5	2	23	3	16
<b>CN 300-22-M5-32-SW</b>	22	M5	32	8	10.5	18.5	2	23	3	17
<b>CN 300-22-M5-32-SZ</b>	22	M5	32	8	10.5	18.5	2	23	3	17
<b>CN 300-22-M5-32-OS</b>	22	M5	32	8	10.5	18.5	2	23	3	17
<b>CN 300-22-M5-32-RS</b>	22	M5	32	8	10.5	18.5	2	23	3	17

<b>CN 300-22-M5-32-SR</b>	22	M5	32	8	10.5	18.5	2	23	3	17
<b>CN 300-22-M5-32-CR</b>	22	M5	32	8	10.5	18.5	2	23	3	17
<b>CN 300-22-M5-32-RH</b>	22	M5	32	8	10.5	18.5	2	23	3	17
<b>CN 300-30-M3-6-SW</b>	30	M3	6	10	13	24.5	4	31	3.5	27
<b>CN 300-30-M3-6-SZ</b>	30	M3	6	10	13	24.5	4	31	3.5	27
<b>CN 300-30-M3-6-OS</b>	30	M3	6	10	13	24.5	4	31	3.5	27
<b>CN 300-30-M3-6-RS</b>	30	M3	6	10	13	24.5	4	31	3.5	27
<b>CN 300-30-M3-6-SR</b>	30	M3	6	10	13	24.5	4	31	3.5	27
<b>CN 300-30-M3-6-CR</b>	30	M3	6	10	13	24.5	4	31	3.5	27
<b>CN 300-30-M3-6-RH</b>	30	M3	6	10	13	24.5	4	31	3.5	27
<b>CN 300-30-M3-8-SW</b>	30	M3	6	10	13	24.5	4	31	3.5	27
<b>CN 300-30-M3-8-SZ</b>	30	M3	6	10	13	24.5	4	31	3.5	27
<b>CN 300-30-M3-8-OS</b>	30	M3	6	10	13	24.5	4	31	3.5	27
<b>CN 300-30-M3-8-RS</b>	30	M3	6	10	13	24.5	4	31	3.5	27

<b>CGN 300-30-M3-8-SR</b>	30	M3	8	10	13	24.5	4	31	3.5	27
<b>CN 300-30-M3-8-CR</b>	30	M3	8	10	13	24.5	4	31	3.5	27
<b>CN 300-30-M3-8-RH</b>	30	M3	8	10	13	24.65	4	31	3.5	27
<b>27CN 300-30-M3-10-SW</b>	30	M3	10	10	13	24.5	4	31	3.5	27
<b>C27N 300-30-M3-10-SZ</b>	30	M3	10	10	13	24.5	4	31	3.5	27
<b>CN 300-30-M3-10-OS</b>	30	M3	10	10	13	24.5	4	31	3.5	27
<b>CN 300-30-M3-10-RS</b>	30	M3	10	10	13	24.5	4	31	3.5	27
<b>CN 300-30-M3-10-SR</b>	30	M3	10	10	13	24.5	4	31	3.5	27
<b>CN 300-30-M3-10-CR</b>	30	M3	10	10	13	24.5	4	31	3.5	27
<b>CN 300-30-M3-10-RH</b>	30	M3	10	10	13	24.5	4	31	3.5	27
<b>CN 300-30-M3-12-SW</b>	30	M3	12	10	13	24.5	4	31	3.5	27
<b>CN 300-30-M3-12-SZ</b>	30	M3	12	10	13	24.5	4	31	3.5	2
<b>CN 300-30-M3-12-OS</b>	30	M3	12	10	13	24.5	4	31	3.5	7
<b>CN 300-30-M3-12-RS</b>	30	M3	12	10	13	24.5	4	31	3.5	7

<b>CN 300-30-M3-12-SR</b>	30	M3	12	10	13	24.5	4	31	3.5	27
<b>CN 300-30-M3-12-CR</b>	30	M3	12	10	13	24.5	4	31	3.5	27
<b>CN 300-30-M3-12-RH</b>	30	M3	12	10	13	24.5	44	31	3.5	27
<b>CN 300-30-M3-16-SW</b>	30	M3	16	10	13	24.5	4	31	3.5	27
<b>CN 300-30-M3-16-SZ</b>	30	M3	16	10	13	24.5	4	31	3.5	27
<b>CN 300-30-M3-16-OS</b>	30	M3	16	10	13	24.5	44	31	3.5	27
<b>CN 300-30-M3-16-RS</b>	30	M3	16	10	13	24.5	4	31	3.5	27
<b>CN 300-30-M3-16-SR</b>	30	M3	16	10	13	24.5	4	31	3.5	27
<b>CN 300-30-M3-16-CR</b>	30	M3	16	10	13	24.5	4	31	3.5	27
<b>CN 300-30-M3-16-RH</b>	30	M3	16	10	13	24.5	4	31	3.5	27
<b>CN 300-30-M4-12-SW</b>	30	M4	12	10	13	24.5	4	31	3.5	27
<b>CN 300-30-M4-12-SZ</b>	30	M4	12	10	13	24.5	4	31	3.5	27
<b>CN 300-30-M4-12-OS</b>	30	M4	12	10	13	24.5	4	31	3.5	27
<b>CN 300-30-M4-12-RS</b>	30	M4	12	10	13	24.5	4	31	3.5	27

<b>CN 300-30-M4-12-SR</b>	30	M4	12	10	13	24.5	4	31	3.5	27
<b>CN 300-30-M4-12-CR</b>	30	M4	12	10	13	24.5	4	31	3.5	27
<b>CN 300-30-M4-12-RH</b>	30	M4	12	10	13	24.5	4	31	3.5	27
<b>CN 300-30-M4-16-SW</b>	30	M4	16	10	13	24.5	4	31	3.5	27
<b>CN 300-30-M4-16-SZ</b>	30	M4	16	10	13	24.5	4	31	3.5	27
<b>CN 300-30-M4-16-RS</b>	30	M4	16	10	13	24.5	4	31	3.5	27
<b>CN 300-30-M4-16-SR</b>	30	M4	16	10	13	24.5	4	31	3.5	27
<b>CN 300-30-M4-16-CR</b>	30	M4	16	10	13	24.5	4	31	3.5	27
<b>CN 300-30-M4-16-RH</b>	30	M4	16	10	13	24.5	4	31	3.5	27
<b>CN 300-30-M4-20-SW</b>	30	M4	20	10	13	24.5	4	31	3.5	28
<b>CN 300-30-M4-20-SZ</b>	30	M4	20	10	13	24.5	4	31	3.5	28
<b>CN 300-30-M4-20-OS</b>	30	M4	20	10	13	24.5	4	31	3.5	28
<b>CN 300-30-M4-20-RS</b>	30	M4	20	10	13	24.5	4	31	3.5	28
<b>CN 300-30-M4-20-SR</b>	30	M4	20	10	13	24.5	4	31	3.5	28

<b>CN 300-30-M4-20-CR</b>	30	M4	20	10	13	24.5	4	31	3.5	28
<b>CN 300-30-M4-20-RH</b>	30	M4	20	10	13	24.5	4	31	3.5	28
<b>CN 300-30-M4-25-SW</b>	30	M4	25	10	13	24.5	4	31	3.5	28
<b>CN 300-30-M4-25-SZ</b>	30	M4	25	10	13	24.5	4	31	3.5	28
<b>CN 300-30-M4-25-OS</b>	30	M4	25	10	13	24.5	4	31	3.5	28
<b>CN 300-30-M4-25-RS</b>	30	M4	25	10	13	24.5	4	31	3.5	28
<b>CN 300-30-M4-25-SR</b>	30	M4	25	10	13	24.5	4	31	3.5	28
<b>CN 300-30-M4-25-CR</b>	30	M4	25	10	13	24.5	4	31	3.5	28
<b>CN 300-30-M4-25-RH</b>	30	M4	25	10	13	24.5	4	31	3.5	28
<b>CN 300-30-M4-32-SW</b>	30	M4	32	10	13	24.5	4	31	3.5	29
<b>CN 300-30-M4-32-SZ</b>	30	M4	32	10	13	24.5	4	31	3.5	29
<b>CN 300-30-M4-32-OS</b>	30	M4	32	10	13	24.5	4	31	3.5	29
<b>CN 300-30-M4-32-RS</b>	30	M4	32	10	13	24.5	4	31	3.5	29
<b>CN 300-30-M4-32-SR</b>	30	M4	32	10	13	24.5	4	31	3.5	29

<b>CN 300-30-M4-32-CR</b>	30	M4	32	10	13	24.5	4	31	3.5	28
<b>CN 300-30-M4-32-RH</b>	30	M4	32	10	13	24.5	4	31	3.5	28
<b>CN 300-30-M5-12-SW</b>	30	M5	12	10	13	24.5	4	31	3.5	28
<b>CN 300-30-M5-12-SZ</b>	30	M5	12	10	13	24.5	4	31	3.5	28
<b>CN 300-30-M5-12-OS</b>	30	M5	12	10	13	24.5	4	31	3.5	28
<b>CN 300-30-M5-12-RS</b>	30	M5	12	10	13	24.5	4	31	3.5	28
<b>CN 300-30-M5-12-SR</b>	30	M5	12	10	13	24.5	4	31	3.5	28
<b>CN 300-30-M5-12-CR</b>	30	M5	12	10	13	24.5	4	31	3.5	28
<b>CN 300-30-M5-12-RH</b>	30	M5	12	10	13	24.5	4	31	3.5	28
<b>CN 300-30-M5-16-SW</b>	30	M5	16	10	13	24.5	4	31	3.5	29
<b>CN 300-30-M5-16-SZ</b>	30	M5	16	10	13	24.5	4	31	3.5	29
<b>CN 300-30-M5-16-OS</b>	30	M5	16	10	13	24.5	4	31	3.5	29
<b>CN 300-30-M5-16-RS</b>	30	M5	16	10	13	24.5	4	31	3.5	29
<b>CN 300-30-M5-16-SR</b>	30	M5	16	10	13	24.5	4	31	3.5	29

<b>CN 300-30-M5-16-CR</b>	30	M5	16	10	13	24.5	4	31	3.5	29
<b>CN 300-30-M5-16-RH</b>	30	M5	16	10	13	24.5	4	31	3.5	29
<b>CN 300-30-M5-20-SW</b>	30	M5	20	10	13	24.5	4	31	3.5	29
<b>CN 300-30-M5-20-SZ</b>	30	M5	20	10	13	24.5	4	31	3.5	29
<b>CN 300-30-M5-20-OS</b>	30	M5	20	10	13	24.5	4	31	3.5	29
<b>CN 300-30-M5-20-RS</b>	30	M5	20	10	13	24.5	4	31	3.5	29
<b>CN 300-30-M5-20-SR</b>	30	M5	20	10	13	24.5	4	31	3.5	29
<b>CN 300-30-M5-20-CR</b>	30	M5	20	10	13	24.5	4	31	3.5	29
<b>CN 300-30-M5-20-RH</b>	30	M5	20	10	13	24.5	4	31	3.5	29
<b>CN 300-30-M5-25-SW</b>	30	M5	25	10	13	24.5	4	31	3.5	30
<b>CN 300-30-M5-25-SZ</b>	30	M5	25	10	13	24.5	4	31	3.5	30
<b>CN 300-30-M5-25-OS</b>	30	M5	25	10	13	24.5	4	31	3.5	30
<b>CN 300-30-M5-25-RS</b>	30	M5	25	10	13	24.5	4	31	3.5	30
<b>CN 300-30-M5-25-SR</b>	30	M5	25	10	13	24.5	4	31	3.5	30



<b>CN 300-30-M5-25-CR</b>	30	M5	32	10	13	24.5	4	31	3.5	31
<b>CN 300-30-M5-25-RH</b>	30	M5	32	10	13	24.5	4	31	3.5	31
<b>CN 300-30-M5-32-SW</b>	30	M5	32	10	13	24.5	4	31	3.5	31
<b>CN 300-30-M5-32-SZ</b>	30	M5	32	10	13	24.5	4	31	3.5	31
<b>CN 300-30-M5-32-OS</b>	30	M5	32	10	13	24.5	4	31	3.5	31
<b>CN 300-30-M5-32-RS</b>	30	M5	32	10	13	24.5	4	31	3.5	31
<b>CN 300-30-M5-32-SR</b>	30	M5	32	10	13	24.5	4	31	3.5	31
<b>CN 300-30-M5-32-CR</b>	30	M5	32	10	13	24.5	4	31	3.5	31
<b>CN 300-30-M5-32-RH</b>	30	M5	32	10	13	24.5	4	31	3.5	31
<b>CN 300-30-M5-40-SW</b>	30	M5	40	10	13	24.5	4	31	3.5	32
<b>CN 300-30-M5-40-SZ</b>	30	M5	40	10	13	24.5	4	31	3.5	32
<b>CN 300-30-M5-40-OS</b>	30	M5	40	10	13	24.5	4	31	3.5	32
<b>CN 300-30-M5-40-RS</b>	30	M5	40	10	13	24.5	4	31	3.5	32
<b>CN 300-30-M5-40-SR</b>	30	M5	40	10	13	24.5	4	31	3.5	32

<b>CN 300-30-M5-40-CR</b>	30	M5	50	10	13	24.5	4	31	3.5	33
<b>CN 300-30-M5-40-RH</b>	30	M5	50	10	13	24.5	4	31	3.5	33
<b>CN 300-30-M5-50-SW</b>	30	M5	50	10	13	24.5	4	31	3.5	33
<b>CN 300-30-M5-50-SZ</b>	30	M5	50	10	13	24.5	4	31	3.5	33
<b>CN 300-30-M5-50-OS</b>	30	M5	50	10	13	24.5	4	31	3.5	33
<b>CN 300-30-M5-50-RS</b>	30	M5	50	10	13	24.5	4	31	3.5	33
<b>CN 300-30-M5-50-SR</b>	30	M5	50	10	13	24.5	4	31	3.5	33
<b>CN 300-30-M5-50-CR</b>	30	M5	50	10	13	24.5	4	31	3.5	33
<b>CN 300-30-M6-12-SW</b>	30	M6	12	10	13	24.5	4	31	3.5	29
<b>CN 300-30-M6-12-SZ</b>	30	M6	12	10	13	24.5	4	31	3.5	29
<b>CN 300-30-M6-12-OS</b>	30	M6	12	10	13	24.5	4	31	3.5	29
<b>CN 300-30-M6-12-RS</b>	30	M6	12	10	13	24.5	4	31	3.5	29
<b>CN 300-30-M6-12-SR</b>	30	M6	12	10	13	24.5	4	31	3.5	29
<b>CN 300-30-M6-12-CR</b>	30	M6	12	10	13	24.5	4	31	3.5	29

<b>CN 300-30-M6-12-RH</b>	30	M6	16	10	13	24.5	4	31	3.5	29
<b>CN 300-30-M6-16-SW</b>	30	M6	16	10	13	24.5	4	31	3.5	29
<b>CN 300-30-M6-16-SZ</b>	30	M6	16	10	13	24.5	4	31	3.5	29
<b>CN 300-30-M6-16-OS</b>	30	M6	16	10	13	24.5	4	31	3.5	29
<b>CN 300-30-M6-16-RS</b>	30	M6	16	10	13	24.5	4	31	3.5	29
<b>CN 300-30-M6-16-SR</b>	30	M6	16	10	13	24.5	4	31	3.5	29
<b>CN 300-30-M6-16-RH</b>	30	M6	16	10	13	24.5	4	31	3.5	29
<b>CN 300-30-M6-20-SW</b>	30	M6	20	10	13	24.5	4	31	3.5	30
<b>CN 300-30-M6-20-SZ</b>	30	M6	20	10	13	24.5	4	31	3.5	30
<b>CN 300-30-M6-20-OS</b>	30	M6	20	10	13	24.5	4	31	3.5	30
<b>CN 300-30-M6-20-RS</b>	30	M6	20	10	13	24.5	4	31	3.5	30
<b>CN 300-30-M6-20-SR</b>	30	M6	20	10	13	24.5	4	31	3.5	30
<b>CN 300-30-M6-20-CR</b>	30	M6	20	10	13	24.5	4	31	3.5	30
<b>CN 300-30-M6-20-RH</b>	30	M6	20	10	13	24.5	4	31	3.5	30

<b>CN 300-30-M6-25-SW</b>	30	M6	25	10	13	24.5	4	31	3.5	31
<b>CN 300-30-M6-25-SZ</b>	30	M6	25	10	13	24.5	4	31	3.5	31
<b>CN 300-30-M6-25-OS</b>	30	M6	25	10	13	24.5	4	31	3.5	31
<b>CN 300-30-M6-25-RS</b>	30	M6	25	10	13	24.5	4	31	3.5	31
<b>CN 300-30-M6-25-SR</b>	30	M6	25	10	13	24.5	4	31	3.5	31
<b>CN 300-30-M6-25-CR</b>	30	M6	25	10	13	24.5	4	31	3.5	31
<b>CN 300-30-M6-25-RH</b>	30	M6	25	10	13	24.5	4	31	3.5	31
<b>CN 300-30-M6-32-SW</b>	30	M6	32	10	13	24.5	4	31	3.5	32
<b>CN 300-30-M6-32-SZ</b>	30	M6	32	10	13	24.5	4	31	3.5	32
<b>CN 300-30-M6-32-OS</b>	30	M6	32	10	13	24.5	4	31	3.5	32
<b>CN 300-30-M6-32-RS</b>	30	M6	32	10	13	24.5	4	31	3.5	32
<b>CN 300-30-M6-32-SR</b>	30	M6	32	10	13	24.5	4	31	3.5	32
<b>CN 300-30-M6-32-CR</b>	30	M6	32	10	13	24.5	4	31	3.5	32
<b>CN 300-30-M6-32-RH</b>	30	M6	32	10	13	24.5	4	31	3.5	32

<b>CN 300-30-M6-40-SW</b>	30	M6	40	10	13	24.5	4	31	3.5	34
<b>CN 300-30-M6-40-SZ</b>	30	M6	40	10	13	24.5	4	31	3.5	34
<b>CN 300-30-M6-40-OS</b>	30	M6	40	10	13	24.5	4	31	3.5	34
<b>CN 300-30-M6-40-RS</b>	30	M6	40	10	13	24.5	4	31	3.5	34
<b>CN 300-30-M6-40-SR</b>	30	M6	40	10	13	24.5	4	31	3.5	34
<b>CN 300-30-M6-40-CR</b>	30	M6	40	10	13	24.5	4	31	3.5	34
<b>CN 300-30-M6-40-RH</b>	30	M6	40	10	13	24.5	4	31	3.5	34
<b>CN 300-30-M6-50-SW</b>	30	M6	50	10	13	24.5	4	31	3.5	35
<b>CN 300-30-M6-50-SZ</b>	30	M6	50	10	13	24.5	4	31	3.5	35
<b>CN 300-30-M6-50-OS</b>	30	M6	50	10	13	24.5	4	31	3.5	35
<b>CN 300-30-M6-50-RS</b>	30	M6	50	10	13	24.5	4	31	3.5	35
<b>CN 300-30-M6-50-SR</b>	30	M6	50	10	13	24.5	4	31	3.5	35
<b>CN 300-30-M6-50-CR</b>	30	M6	50	10	13	24.5	4	31	3.5	35
<b>CN 300-30-M6-50-RH</b>	30	M6	50	10	13	24.5	4	31	3.5	35

<b>CN 300-45-M4-12-SW</b>	45	M4	12	10	13	24.5	4	34	3.5	35
<b>CN 300-45-M4-12-SZ</b>	45	M4	12	10	13	24.5	4	34	3.5	35
<b>CN 300-45-M4-12-OS</b>	45	M4	12	10	13	24.5	4	34	3.5	35
<b>CN 300-45-M4-12-RS</b>	45	M4	12	10	13	24.5	4	34	3.5	35
<b>CN 300-45-M4-12-SR</b>	45	M4	12	10	13	24.5	4	34	3.5	35
<b>CN 300-45-M4-12-CR</b>	45	M4	12	10	13	24.5	4	34	3.5	35
<b>CN 300-45-M4-12-RH</b>	45	M4	12	10	13	24.5	4	34	3.5	35
<b>CN 300-45-M4-16-SW</b>	45	M4	16	10	13	24.5	4	34	3.5	35
<b>CN 300-45-M4-16-SZ</b>	45	M4	16	10	13	24.5	4	34	3.5	35
<b>CN 300-45-M4-16-OS</b>	45	M4	16	10	13	24.5	4	34	3.5	35
<b>CN 300-45-M4-16-RS</b>	45	M4	16	10	13	24.5	4	34	3.5	35
<b>CN 300-45-M4-16-SR</b>	45	M4	16	10	13	24.5	4	34	3.5	35
<b>CN 300-45-M4-16-CR</b>	45	M4	16	10	13	24.5	4	34	3.5	35
<b>CN 300-45-M4-16-RH</b>	45	M4	16	10	13	24.5	4	34	3.5	35

<b>CN 300-45-M4-20-SW</b>	45	M4	20	10	13	24.5	4	34	3.5	36
<b>CN 300-45-M4-20-SZ</b>	45	M4	20	10	13	24.5	4	34	3.5	36
<b>CN 300-45-M4-20-OS</b>	45	M4	20	10	13	24.5	4	34	3.5	36
<b>CN 300-45-M4-20-RS</b>	45	M4	20	10	13	24.5	4	34	3.5	36
<b>CN 300-45-M4-20-SR</b>	45	M4	20	10	13	24.5	4	34	3.5	36
<b>CN 300-45-M4-20-CR</b>	45	M4	20	10	13	24.5	4	34	3.5	36
<b>CN 300-45-M4-20-RH</b>	45	M4	20	10	13	24.5	4	34	3.5	36
<b>CN 300-45-M4-25-SW</b>	45	M4	25	10	13	24.5	4	34	3.5	37
<b>CN 300-45-M4-25-SZ</b>	45	M4	25	10	13	24.5	4	34	3.5	37
<b>CN 300-45-M4-25-OS</b>	45	M4	25	10	13	24.5	4	34	3.5	37
<b>CN 300-45-M4-25-RS</b>	45	M4	25	10	13	24.5	4	34	3.5	37
<b>CN 300-45-M4-25-SR</b>	45	M4	25	10	13	24.5	4	34	3.5	37
<b>CN 300-45-M4-25-CR</b>	45	M4	25	10	13	24.5	4	34	3.5	37
<b>CN 300-45-M4-25-RH</b>	45	M4	25	10	13	24.5	4	34	3.5	37

<b>CN 300-45-M4-32-SW</b>	45	M4	32	10	13	24.5	4	34	3.5	38
<b>CN 300-45-M4-32-SZ</b>	45	M4	32	10	13	24.5	4	34	3.5	38
<b>CN 300-45-M4-32-OS</b>	45	M4	32	10	13	24.5	4	34	3.5	38
<b>CN 300-45-M4-32-RS</b>	45	M4	32	10	13	24.5	4	34	3.5	38
<b>CN 300-45-M4-32-SR</b>	45	M4	32	10	13	24.5	4	34	3.5	38
<b>CN 300-45-M4-32-CR</b>	45	M4	32	10	13	24.5	4	34	3.5	38
<b>CN 300-45-M4-32-RH</b>	45	M4	32	10	13	24.5	4	34	3.5	38
<b>CN 300-45-M5-12-SW</b>	45	M5	12	10	13	24.5	4	34	3.5	36
<b>CN 300-45-M5-12-SZ</b>	45	M5	12	10	13	24.5	4	34	3.5	36
<b>CN 300-45-M5-12-OS</b>	45	M5	12	10	13	24.5	4	34	3.5	36
<b>CN 300-45-M5-12-RS</b>	45	M5	12	10	13	24.5	4	34	3.5	36
<b>CN 300-45-M5-12-SR</b>	45	M5	12	10	13	24.5	4	34	3.5	36
<b>CN 300-45-M5-12-CR</b>	45	M5	12	10	13	24.5	4	34	3.5	36
<b>CN 300-45-M5-12-RH</b>	45	M5	12	10	13	24.5	4	34	3.5	36



<b>CN 300-45-M5-16-SW</b>	45	M5	16	10	13	24.5	4	34	3.5	37
<b>CN 300-45-M5-16-SZ</b>	45	M5	16	10	13	24.5	4	34	3.5	37
<b>CN 300-45-M5-16-OS</b>	45	M5	16	10	13	24.5	4	34	3.5	37
<b>CN 300-45-M5-16-RS</b>	45	M5	16	10	13	24.5	4	34	3.5	37
<b>CN 300-45-M5-16-SR</b>	45	M5	16	10	13	24.5	4	34	3.5	37
<b>CN 300-45-M5-16-CR</b>	45	M5	16	10	13	24.5	4	34	3.5	37
<b>CN 300-45-M5-16-RH</b>	45	M5	16	10	13	24.5	4	34	3.5	37
<b>CN 300-45-M5-20-SW</b>	45	M5	20	10	13	24.5	4	34	3.5	37
<b>CN 300-45-M5-20-SZ</b>	45	M5	20	10	13	24.5	4	34	3.5	37
<b>CN 300-45-M5-20-OS</b>	45	M5	20	10	13	24.5	4	34	3.5	37
<b>CN 300-45-M5-20-RS</b>	45	M5	20	10	13	24.5	4	34	3.5	37
<b>CN 300-45-M5-20-SR</b>	45	M5	20	10	13	24.5	4	34	3.5	37
<b>CN 300-45-M5-20-CR</b>	45	M5	20	10	13	24.5	4	34	3.5	37
<b>CN 300-45-M5-20-RH</b>	45	M5	20	10	13	24.5	4	34	3.5	37

<b>CN 300-45-M5-25-SW</b>	45	M5	25	10	13	24.5	4	34	3.5	38
<b>CN 300-45-M5-25-SZ</b>	45	M5	25	10	13	24.5	4	34	3.5	38
<b>CN 300-45-M5-25-OS</b>	45	M5	25	10	13	24.5	4	34	3.5	38
<b>CN 300-45-M5-25-RS</b>	45	M5	25	10	13	24.5	4	34	3.5	38
<b>CN 300-45-M5-25-SR</b>	45	M5	25	10	13	24.5	4	34	3.5	38
<b>CN 300-45-M5-25-CR</b>	45	M5	25	10	13	24.5	4	34	3.5	38
<b>CN 300-45-M5-25-RH</b>	45	M5	25	10	13	24.5	4	34	3.5	38
<b>CN 300-45-M5-32-SW</b>	45	M5	32	10	13	24.5	4	34	3.5	39
<b>CN 300-45-M5-32-SZ</b>	45	M5	32	10	13	24.5	4	34	3.5	39
<b>CN 300-45-M5-32-OS</b>	45	M5	32	10	13	24.5	4	34	3.5	39
<b>CN 300-45-M5-32-RS</b>	45	M5	32	10	13	24.5	4	34	3.5	39
<b>CN 300-45-M5-32-SR</b>	45	M5	32	10	13	24.5	4	34	3.5	39
<b>CN 300-45-M5-32-CR</b>	45	M5	32	10	13	24.5	4	34	3.5	39
<b>CN 300-45-M5-32-RH</b>	45	M5	32	10	13	24.5	4	34	3.5	39

<b>CN 300-45-M5-40-SW</b>	45	M5	40	10	13	24.5	4	34	3.5	40
<b>CN 300-45-M5-40-SZ</b>	45	M5	40	10	13	24.5	4	34	3.5	40
<b>CN 300-45-M5-40-OS</b>	45	M5	40	10	13	24.5	4	34	3.5	40
<b>CN 300-45-M5-40-RS</b>	45	M5	40	10	13	24.5	4	34	3.5	40
<b>CN 300-45-M5-40-SR</b>	45	M5	40	10	13	24.5	4	34	3.5	40
<b>CN 300-45-M5-40-CR</b>	45	M5	40	10	13	24.5	4	34	3.5	40
<b>CN 300-45-M5-40-RH</b>	45	M5	40	10	13	24.5	4	34	3.5	40
<b>CN 300-45-M5-50-SW</b>	45	M5	50	10	13	24.5	4	34	3.5	41
<b>CN 300-45-M5-50-SZ</b>	45	M5	50	10	13	24.5	4	34	3.5	41
<b>CN 300-45-M5-50-OS</b>	45	M5	50	10	13	24.5	4	34	3.5	41
<b>CN 300-45-M5-50-RS</b>	45	M5	50	10	13	24.5	4	34	3.5	41
<b>CN 300-45-M5-50-SR</b>	45	M5	50	10	13	24.5	4	34	3.5	41
<b>CN 300-45-M5-50-CR</b>	45	M5	50	10	13	24.5	4	34	3.5	41
<b>CN 300-45-M5-50-RH</b>	45	M5	50	10	13	24.5	4	34	3.5	41

<b>CN 300-45-M6-12-SW</b>	45	M6	12	10	13	24.5	4	34	3.5	37
<b>CN 300-45-M6-12-SZ</b>	45	M6	12	10	13	24.5	4	34	3.5	37
<b>CN 300-45-M6-12-OS</b>	45	M6	12	10	13	24.5	4	34	3.5	37
<b>CN 300-45-M6-12-RS</b>	45	M6	12	10	13	24.5	4	34	3.5	37
<b>CN 300-45-M6-12-SR</b>	45	M6	12	10	13	24.5	4	34	3.5	37
<b>CN 300-45-M6-12-CR</b>	45	M6	12	10	13	24.5	4	34	3.5	37
<b>CN 300-45-M6-12-RH</b>	45	M6	12	10	13	24.5	4	34	3.5	37
<b>CN 300-45-M6-16-SW</b>	45	M6	16	10	13	24.5	4	34	3.5	37
<b>CN 300-45-M6-16-SZ</b>	45	M6	16	10	13	24.5	4	34	3.5	37
<b>CN 300-45-M6-16-OS</b>	45	M6	16	10	13	24.5	4	34	3.5	37
<b>CN 300-45-M6-16-RS</b>	45	M6	16	10	13	24.5	4	34	3.5	37
<b>CN 300-45-M6-16-SR</b>	45	M6	16	10	13	24.5	4	34	3.5	37
<b>CN 300-45-M6-16-CR</b>	45	M6	16	10	13	24.5	4	34	3.5	37
<b>CN 300-45-M6-16-RH</b>	45	M6	16	10	13	24.5	4	34	3.5	37

<b>CN 300-45-M6-20-SW</b>	45	M6	20	10	13	24.5	4	34	3.5	38
<b>CN 300-45-M6-20-SZ</b>	45	M6	20	10	13	24.5	4	34	3.5	38
<b>CN 300-45-M6-20-OS</b>	45	M6	20	10	13	24.5	4	34	3.5	38
<b>CN 300-45-M6-20-RS</b>	45	M6	20	10	13	24.5	4	34	3.5	38
<b>CN 300-45-M6-20-SR</b>	45	M6	20	10	13	24.5	4	34	3.5	38
<b>CN 300-45-M6-20-CR</b>	45	M6	20	10	13	24.5	4	34	3.5	38
<b>CN 300-45-M6-20-RH</b>	45	M6	20	10	13	24.5	4	34	3.5	38
<b>CN 300-45-M6-25-SW</b>	45	M6	25	10	13	24.5	4	34	3.5	39
<b>CN 300-45-M6-25-SZ</b>	45	M6	25	10	13	24.5	4	34	3.5	39
<b>CN 300-45-M6-25-OS</b>	45	M6	25	10	13	24.5	4	34	3.5	39
<b>CN 300-45-M6-25-RS</b>	45	M6	25	10	13	24.5	4	34	3.5	39
<b>CN 300-45-M6-25-SR</b>	45	M6	25	10	13	24.5	4	34	3.5	39
<b>CN 300-45-M6-25-CR</b>	45	M6	25	10	13	24.5	4	34	3.5	39
<b>CN 300-45-M6-25-RH</b>	45	M6	25	10	13	24.5	4	34	3.5	39

<b>CN 300-45-M6-32-SW</b>	45	M6	32	10	13	24.5	4	34	3.5	40
<b>CN 300-45-M6-32-SZ</b>	45	M6	32	10	13	24.5	4	34	3.5	40
<b>CN 300-45-M6-32-OS</b>	45	M6	32	10	13	24.5	4	34	3.5	40
<b>CN 300-45-M6-32-RS</b>	45	M6	32	10	13	24.5	4	34	3.5	40
<b>CN 300-45-M6-32-SR</b>	45	M6	32	10	13	24.5	4	34	3.5	40
<b>CN 300-45-M6-32-CR</b>	45	M6	32	10	13	24.5	4	34	3.5	40
<b>CN 300-45-M6-32-RH</b>	45	M6	32	10	13	24.5	4	34	3.5	40
<b>CN 300-45-M6-40-SW</b>	45	M6	40	10	13	24.5	4	34	3.5	42
<b>CN 300-45-M6-40-SZ</b>	45	M6	40	10	13	24.5	4	34	3.5	42
<b>CN 300-45-M6-40-OS</b>	45	M6	40	10	13	24.5	4	34	3.5	42
<b>CN 300-45-M6-40-RS</b>	45	M6	40	10	13	24.5	4	34	3.5	42
<b>CN 300-45-M6-40-SR</b>	45	M6	40	10	13	24.5	4	34	3.5	42
<b>CN 300-45-M6-40-CR</b>	45	M6	40	10	13	24.5	4	34	3.5	42
<b>CN 300-45-M6-40-RH</b>	45	M6	40	10	13	24.5	4	34	3.5	42

<b>CN 300-45-M6-50-SW</b>	45	M6	50	10	13	24.5	4	34	3.5	43
<b>CN 300-45-M6-50-SZ</b>	45	M6	50	10	13	24.5	4	34	3.5	43
<b>CN 300-45-M6-50-OS</b>	45	M6	50	10	13	24.5	4	34	3.5	43
<b>CN 300-45-M6-50-RS</b>	45	M6	50	10	13	24.5	4	34	3.5	43
<b>CN 300-45-M6-50-SR</b>	45	M6	50	10	13	24.5	4	34	3.5	43
<b>CN 300-45-M6-50-CR</b>	45	M6	50	10	13	24.5	4	34	3.5	43
<b>CN 300-45-M6-50-RH</b>	45	M6	50	10	13	24.5	4	34	3.5	43
<b>CN 300-63-M6-12-SW</b>	63	M6	12	13.5	17.5	31	6.5	45	4	79
<b>CN 300-63-M6-12-SZ</b>	63	M6	12	13.5	17.5	31	6.5	45	4	79
<b>CN 300-63-M6-12-OS</b>	63	M6	12	13.5	17.5	31	6.5	45	4	79
<b>CN 300-63-M6-12-RS</b>	63	M6	12	13.5	17.5	31	6.5	45	4	79
<b>CN 300-63-M6-12-SR</b>	63	M6	12	13.5	17.5	31	6.5	45	4	79
<b>CN 300-63-M6-12-CR</b>	63	M6	12	13.5	17.5	31	6.5	45	4	79
<b>CN 300-63-M6-12-RH</b>	63	M6	12	13.5	17.5	31	6.5	45	4	79

<b>CN 300-63-M6-16-SW</b>	63	M6	16	13.5	17.5	31	6.5	45	4	80
<b>CN 300-63-M6-16-SZ</b>	63	M6	16	13.5	17.5	31	6.5	45	4	80
<b>CN 300-63-M6-16-OS</b>	63	M6	16	13.5	17.5	31	6.5	45	4	80
<b>CN 300-63-M6-16-RS</b>	63	M6	16	13.5	17.5	31	6.5	45	4	80
<b>CN 300-63-M6-16-SR</b>	63	M6	16	13.5	17.5	31	6.5	45	4	80
<b>CN 300-63-M6-16-CR</b>	63	M6	16	13.5	17.5	31	6.5	45	4	80
<b>CN 300-63-M6-16-RH</b>	63	M6	16	13.5	17.5	31	6.5	45	4	80
<b>CN 300-63-M6-20-SW</b>	63	M6	20	13.5	17.5	31	6.5	45	4	81
<b>CN 300-63-M6-20-SZ</b>	63	M6	20	13.5	17.5	31	6.5	45	4	81
<b>CN 300-63-M6-20-OS</b>	63	M6	20	13.5	17.5	31	6.5	45	4	81
<b>CN 300-63-M6-20-RS</b>	63	M6	20	13.5	17.5	31	6.5	45	4	81
<b>CN 300-63-M6-20-SR</b>	63	M6	20	13.5	17.5	31	6.5	45	4	81
<b>CN 300-63-M6-20-CR</b>	63	M6	20	13.5	17.5	31	6.5	45	4	81
<b>CN 300-63-M6-20-RH</b>	63	M6	20	13.5	17.5	31	6.5	45	4	81



<b>CN 300-63-M6-25-SW</b>	63	M6	25	13.5	17.5	31	6.5	45	4	82
<b>CN 300-63-M6-25-SZ</b>	63	M6	25	13.5	17.5	31	6.5	45	4	82
<b>CN 300-63-M6-25-OS</b>	63	M6	25	13.5	17.5	31	6.5	45	4	82
<b>CN 300-63-M6-25-RS</b>	63	M6	25	13.5	17.5	31	6.5	45	4	82
<b>CN 300-63-M6-25-SR</b>	63	M6	25	13.5	17.5	31	6.5	45	4	82
<b>CN 300-63-M6-25-CR</b>	63	M6	25	13.5	17.5	31	6.5	45	4	82
<b>CN 300-63-M6-25-RH</b>	63	M6	25	13.5	17.5	31	6.5	45	4	82
<b>CN 300-63-M6-32-SW</b>	63	M6	32	13.5	17.5	31	6.5	45	4	83
<b>CN 300-63-M6-32-SZ</b>	63	M6	32	13.5	17.5	31	6.5	45	4	83
<b>CN 300-63-M6-32-OS</b>	63	M6	32	13.5	17.5	31	6.5	45	4	83
<b>CN 300-63-M6-32-RS</b>	63	M6	32	13.5	17.5	31	6.5	45	4	83
<b>CN 300-63-M6-32-SR</b>	63	M6	32	13.5	17.5	31	6.5	45	4	83
<b>CN 300-63-M6-32-CR</b>	63	M6	32	13.5	17.5	31	6.5	45	4	83
<b>CN 300-63-M6-32-RH</b>	63	M6	32	13.5	17.5	31	6.5	45	4	83

<b>CN 300-63-M6-40-SW</b>	63	M6	40	13.5	17.5	31	6.5	45	4	85
<b>CN 300-63-M6-40-SZ</b>	63	M6	40	13.5	17.5	31	6.5	45	4	85
<b>CN 300-63-M6-40-OS</b>	63	M6	40	13.5	17.5	31	6.5	45	4	85
<b>CN 300-63-M6-40-RS</b>	63	M6	40	13.5	17.5	31	6.5	45	4	85
<b>CN 300-63-M6-40-SR</b>	63	M6	40	13.5	17.5	31	6.5	45	4	85
<b>CN 300-63-M6-40-CR</b>	63	M6	40	13.5	17.5	31	6.5	45	4	85
<b>CN 300-63-M6-40-RH</b>	63	M6	40	13.5	17.5	31	6.5	45	4	85
<b>CN 300-63-M6-50-SW</b>	63	M6	50	13.5	17.5	31	6.5	45	4	86
<b>CN 300-63-M6-50-SZ</b>	63	M6	50	13.5	17.5	31	6.5	45	4	86
<b>CN 300-63-M6-50-OS</b>	63	M6	50	13.5	17.5	31	6.5	45	4	86
<b>CN 300-63-M6-50-RS</b>	63	M6	50	13.5	17.5	31	6.5	45	4	86
<b>CN 300-63-M6-50-SR</b>	63	M6	50	13.5	17.5	31	6.5	45	4	86
<b>CN 300-63-M6-50-CR</b>	63	M6	50	13.5	17.5	31	6.5	45	4	86
<b>CN 300-63-M6-50-RH</b>	63	M6	50	13.5	17.5	31	6.5	45	4	86

<b>CN 300-63-M6-63-SW</b>	63	M6	63	13.5	17.5	31	6.5	45	4	88
<b>CN 300-63-M6-63-SZ</b>	63	M6	63	13.5	17.5	31	6.5	45	4	88
<b>CN 300-63-M6-63-OS</b>	63	M6	63	13.5	17.5	31	6.5	45	4	88
<b>CN 300-63-M6-63-RS</b>	63	M6	63	13.5	17.5	31	6.5	45	4	88
<b>CN 300-63-M6-63-SR</b>	63	M6	63	13.5	17.5	31	6.5	45	4	88
<b>CN 300-63-M6-63-CR</b>	63	M6	63	13.5	17.5	31	6.5	45	4	88
<b>CN 300-63-M6-63-RH</b>	63	M6	63	13.5	17.5	31	6.5	45	4	88
<b>CN 300-63-M8-12-SW</b>	63	M8	12	13.5	17.5	31	6.5	45	4	82
<b>CN 300-63-M8-12-SZ</b>	63	M8	12	13.5	17.5	31	6.5	45	4	82
<b>CN 300-63-M8-12-OS</b>	63	M8	12	13.5	17.5	31	6.5	45	4	82
<b>CN 300-63-M8-12-RS</b>	63	M8	12	13.5	17.5	31	6.5	45	4	82
<b>CN 300-63-M8-12-SR</b>	63	M8	12	13.5	17.5	31	6.5	45	4	82
<b>CN 300-63-M8-12-CR</b>	63	M8	12	13.5	17.5	31	6.5	45	4	82
<b>CN 300-63-M8-12-RH</b>	63	M8	12	13.5	17.5	31	6.5	45	4	82

<b>CN 300-63-M8-16-SW</b>	63	M8	16	13.5	17.5	31	6.5	45	4	84
<b>CN 300-63-M8-16-SZ</b>	63	M8	16	13.5	17.5	31	6.5	45	4	84
<b>CN 300-63-M8-16-OS</b>	63	M8	16	13.5	17.5	31	6.5	45	4	84
<b>CN 300-63-M8-16-RS</b>	63	M8	16	13.5	17.5	31	6.5	45	4	84
<b>CN 300-63-M8-16-SR</b>	63	M8	16	13.5	17.5	31	6.5	45	4	84
<b>CN 300-63-M8-16-CR</b>	63	M8	16	13.5	17.5	31	6.5	45	4	84
<b>CN 300-63-M8-16-RH</b>	63	M8	16	13.5	17.5	31	6.5	45	4	84
<b>CN 300-63-M8-20-SW</b>	63	M8	20	13.5	17.5	31	6.5	45	4	84
<b>CN 300-63-M8-20-SZ</b>	63	M8	20	13.5	17.5	31	6.5	45	4	84
<b>CN 300-63-M8-20-OS</b>	63	M8	20	13.5	17.5	31	6.5	45	4	84
<b>CN 300-63-M8-20-RS</b>	63	M8	20	13.5	17.5	31	6.5	45	4	84
<b>CN 300-63-M8-20-SR</b>	63	M8	20	13.5	17.5	31	6.5	45	4	84
<b>CN 300-63-M8-20-CR</b>	63	M8	20	13.5	17.5	31	6.5	45	4	84
<b>CN 300-63-M8-20-RH</b>	63	M8	20	13.5	17.5	31	6.5	45	4	84

<b>CN 300-63-M8-25-SW</b>	63	M8	25	13.5	17.5	31	6.5	45	4	86
<b>CN 300-63-M8-25-SZ</b>	63	M8	25	13.5	17.5	31	6.5	45	4	86
<b>CN 300-63-M8-25-OS</b>	63	M8	25	13.5	17.5	31	6.5	45	4	86
<b>CN 300-63-M8-25-RS</b>	63	M8	25	13.5	17.5	31	6.5	45	4	86
<b>CN 300-63-M8-25-SR</b>	63	M8	25	13.5	17.5	31	6.5	45	4	86
<b>CN 300-63-M8-25-CR</b>	63	M8	25	13.5	17.5	31	6.5	45	4	86
<b>CN 300-63-M8-25-RH</b>	63	M8	25	13.5	17.5	31	6.5	45	4	86
<b>CN 300-63-M8-32-SW</b>	63	M8	32	13.5	17.5	31	6.5	45	4	88
<b>CN 300-63-M8-32-SZ</b>	63	M8	32	13.5	17.5	31	6.5	45	4	88
<b>CN 300-63-M8-32-OS</b>	63	M8	32	13.5	17.5	31	6.5	45	4	88
<b>CN 300-63-M8-32-RS</b>	63	M8	32	13.5	17.5	31	6.5	45	4	88
<b>CN 300-63-M8-32-SR</b>	63	M8	32	13.5	17.5	31	6.5	45	4	88
<b>CN 300-63-M8-32-CR</b>	63	M8	32	13.5	17.5	31	6.5	45	4	88
<b>CN 300-63-M8-32-RH</b>	63	M8	32	13.5	17.5	31	6.5	45	4	88

<b>CN 300-63-M8-40-SW</b>	63	M8	40	13.5	17.5	31	6.5	45	4	90
<b>CN 300-63-M8-40-SZ</b>	63	M8	40	13.5	17.5	31	6.5	45	4	90
<b>CN 300-63-M8-40-OS</b>	63	M8	40	13.5	17.5	31	6.5	45	4	90
<b>CN 300-63-M8-40-RS</b>	63	M8	40	13.5	17.5	31	6.5	45	4	90
<b>CN 300-63-M8-40-SR</b>	63	M8	40	13.5	17.5	31	6.5	45	4	90
<b>CN 300-63-M8-40-CR</b>	63	M8	40	13.5	17.5	31	6.5	45	4	90
<b>CN 300-63-M8-40-RH</b>	63	M8	40	13.5	17.5	31	6.5	45	4	90
<b>CN 300-63-M8-50-SW</b>	63	M8	50	13.5	17.5	31	6.5	45	4	93
<b>CN 300-63-M8-50-SZ</b>	63	M8	50	13.5	17.5	31	6.5	45	4	93
<b>CN 300-63-M8-50-OS</b>	63	M8	50	13.5	17.5	31	6.5	45	4	93
<b>CN 300-63-M8-50-RS</b>	63	M8	50	13.5	17.5	31	6.5	45	4	93
<b>CN 300-63-M8-50-SR</b>	63	M8	50	13.5	17.5	31	6.5	45	4	93
<b>CN 300-63-M8-50-CR</b>	63	M8	50	13.5	17.5	31	6.5	45	4	93
<b>CN 300-63-M8-50-RH</b>	63	M8	50	13.5	17.5	31	6.5	45	4	93

<b>CN 300-63-M8-63-SW</b>	63	M8	63	13.5	17.5	31	6.5	45	4	97
<b>CN 300-63-M8-63-SZ</b>	63	M8	63	13.5	17.5	31	6.5	45	4	97
<b>CN 300-63-M8-63-OS</b>	63	M8	63	13.5	17.5	31	6.5	45	4	97
<b>CN 300-63-M8-63-RS</b>	63	M8	63	13.5	17.5	31	6.5	45	4	97
<b>CN 300-63-M8-63-SR</b>	63	M8	63	13.5	17.5	31	6.5	45	4	97
<b>CN 300-63-M8-63-CR</b>	63	M8	63	13.5	17.5	31	6.5	45	4	97
<b>CN 300-63-M8-63-RH</b>	63	M8	63	13.5	17.5	31	6.5	45	4	97
<b>CN 300-63-M10-20-SW</b>	63	M10	20	13.5	17.5	31	6.5	45	4	87
<b>CN 300-63-M10-20-SZ</b>	63	M10	20	13.5	17.5	31	6.5	45	4	87
<b>CN 300-63-M10-20-OS</b>	63	M10	20	13.5	17.5	31	6.5	45	4	87
<b>CN 300-63-M10-20-RS</b>	63	M10	20	13.5	17.5	31	6.5	45	4	87
<b>CN 300-63-M10-20-SR</b>	63	M10	20	13.5	17.5	31	6.5	45	4	87
<b>CN 300-63-M10-20-CR</b>	63	M10	20	13.5	17.5	31	6.5	45	4	87
<b>CN 300-63-M10-20-RH</b>	63	M10	20	13.5	17.5	31	6.5	45	4	87

<b>CN 300-63-M10-25-SW</b>	63	M10	25	13.5	17.5	31	6.5	45	4	90
<b>CN 300-63-M10-25-SZ</b>	63	M10	25	13.5	17.5	31	6.5	45	4	90
<b>CN 300-63-M10-25-OS</b>	63	M10	25	13.5	17.5	31	6.5	45	4	90
<b>CN 300-63-M10-25-RS</b>	63	M10	25	13.5	17.5	31	6.5	45	4	90
<b>CN 300-63-M10-25-SR</b>	63	M10	25	13.5	17.5	31	6.5	45	4	90
<b>CN 300-63-M10-25-CR</b>	63	M10	25	13.5	17.5	31	6.5	45	4	90
<b>CN 300-63-M10-25-RH</b>	63	M10	25	13.5	17.5	31	6.5	45	4	90
<b>CN 300-63-M10-32-SW</b>	63	M10	32	13.5	17.5	31	6.5	45	4	94
<b>CN 300-63-M10-32-SZ</b>	63	M10	32	13.5	17.5	31	6.5	45	4	94
<b>CN 300-63-M10-32-OS</b>	63	M10	32	13.5	17.5	31	6.5	45	4	94
<b>CN 300-63-M10-32-RS</b>	63	M10	32	13.5	17.5	31	6.5	45	4	94
<b>CN 300-63-M10-32-SR</b>	63	M10	32	13.5	17.5	31	6.5	45	4	94
<b>CN 300-63-M10-32-CR</b>	63	M10	32	13.5	17.5	31	6.5	45	4	94
<b>CN 300-63-M10-32-RH</b>	63	M10	32	13.5	17.5	31	6.5	45	4	94



<b>CN 300-63-M10-40-SW</b>	63	M10	40	13.5	17.5	31	6.5	45	4	96
<b>CN 300-63-M10-40-SZ</b>	63	M10	40	13.5	17.5	31	6.5	45	4	96
<b>CN 300-63-M10-40-OS</b>	63	M10	40	13.5	17.5	31	6.5	45	4	96
<b>CN 300-63-M10-40-RS</b>	63	M10	40	13.5	17.5	31	6.5	45	4	96
<b>CN 300-63-M10-40-SR</b>	63	M10	40	13.5	17.5	31	6.5	45	4	96
<b>CN 300-63-M10-40-CR</b>	63	M10	40	13.5	17.5	31	6.5	45	4	96
<b>CN 300-63-M10-40-RH</b>	63	M10	40	13.5	17.5	31	6.5	45	4	96
<b>CN 300-63-M10-50-SW</b>	63	M10	50	13.5	17.5	31	6.5	45	4	101
<b>CN 300-63-M10-50-SZ</b>	63	M10	50	13.5	17.5	31	6.5	45	4	101
<b>CN 300-63-M10-50-OS</b>	63	M10	50	13.5	17.5	31	6.5	45	4	101
<b>CN 300-63-M10-50-RS</b>	63	M10	50	13.5	17.5	31	6.5	45	4	101
<b>CN 300-63-M10-50-SR</b>	63	M10	50	13.5	17.5	31	6.5	45	4	101
<b>CN 300-63-M10-50-CR</b>	63	M10	50	13.5	17.5	31	6.5	45	4	101
<b>CN 300-63-M10-50-RH</b>	63	M10	50	13.5	17.5	31	6.5	45	4	101

<b>CN 300-63-M10-63-SW</b>	63	M10	63	13.5	17.5	31	6.5	45	4	108
<b>CN 300-63-M10-63-SZ</b>	63	M10	63	13.5	17.5	31	6.5	45	4	108
<b>CN 300-63-M10-63-OS</b>	63	M10	63	13.5	17.5	31	6.5	45	4	108
<b>CN 300-63-M10-63-RS</b>	63	M10	63	13.5	17.5	31	6.5	45	4	108
<b>CN 300-63-M10-63-SR</b>	63	M10	63	13.5	17.5	31	6.5	45	4	108
<b>CN 300-63-M10-63-CR</b>	63	M10	63	13.5	17.5	31	6.5	45	4	108
<b>CN 300-63-M10-63-RH</b>	63	M10	63	13.5	17.5	31	6.5	45	4	108
<b>CN 300-63-M10-80-SW</b>	63	M10	80	13.5	17.5	31	6.5	45	4	128
<b>CN 300-63-M10-80-SZ</b>	63	M10	80	13.5	17.5	31	6.5	45	4	128
<b>CN 300-63-M10-80-OS</b>	63	M10	80	13.5	17.5	31	6.5	45	4	128
<b>CN 300-63-M10-80-RS</b>	63	M10	80	13.5	17.5	31	6.5	45	4	128
<b>CN 300-63-M10-80-SR</b>	63	M10	80	13.5	17.5	31	6.5	45	4	128
<b>CN 300-63-M10-80-CR</b>	63	M10	80	13.5	17.5	31	6.5	45	4	128
<b>CN 300-63-M10-80-RH</b>	63	M10	80	13.5	17.5	31	6.5	45	4	128

<b>CN 300-78-M8-16-SW</b>	78	M8	16	16	21	36	8	54	4	131
<b>CN 300-78-M8-16-SZ</b>	78	M8	16	16	21	36	8	54	4	131
<b>CN 300-78-M8-16-OS</b>	78	M8	16	16	21	36	8	54	4	131
<b>CN 300-78-M8-16-RS</b>	78	M8	16	16	21	36	8	54	4	131
<b>CN 300-78-M8-16-SR</b>	78	M8	16	16	21	36	8	54	4	131
<b>CN 300-78-M8-16-CR</b>	78	M8	16	16	21	36	8	54	4	131
<b>CN 300-78-M8-16-RH</b>	78	M8	16	16	21	36	8	54	4	131
<b>CN 300-78-M8-20-SW</b>	78	M8	20	16	21	36	8	54	4	132
<b>CN 300-78-M8-20-SZ</b>	78	M8	20	16	21	36	8	54	4	132
<b>CN 300-78-M8-20-OS</b>	78	M8	20	16	21	36	8	54	4	132
<b>CN 300-78-M8-20-RS</b>	78	M8	20	16	21	36	8	54	4	132
<b>CN 300-78-M8-20-SR</b>	78	M8	20	16	21	36	8	54	4	132
<b>CN 300-78-M8-20-CR</b>	78	M8	20	16	21	36	8	54	4	132
<b>CN 300-78-M8-20-RH</b>	78	M8	20	16	21	36	8	54	4	132

<b>CN 300-78-M8-25-SW</b>	78	M8	25	16	21	36	8	54	4	133
<b>CN 300-78-M8-25-SZ</b>	78	M8	25	16	21	36	8	54	4	133
<b>CN 300-78-M8-25-OS</b>	78	M8	25	16	21	36	8	54	4	133
<b>CN 300-78-M8-25-RS</b>	78	M8	25	16	21	36	8	54	4	133
<b>CN 300-78-M8-25-SR</b>	78	M8	25	16	21	36	8	54	4	133
<b>CN 300-78-M8-25-CR</b>	78	M8	25	16	21	36	8	54	4	133
<b>CN 300-78-M8-25-RH</b>	78	M8	25	16	21	36	8	54	4	133
<b>CN 300-78-M8-32-SW</b>	78	M8	32	16	21	36	8	54	4	136
<b>CN 300-78-M8-32-SZ</b>	78	M8	32	16	21	36	8	54	4	136
<b>CN 300-78-M8-32-OS</b>	78	M8	32	16	21	36	8	54	4	136
<b>CN 300-78-M8-32-RS</b>	78	M8	32	16	21	36	8	54	4	136
<b>CN 300-78-M8-32-SR</b>	78	M8	32	16	21	36	8	54	4	136
<b>CN 300-78-M8-32-CR</b>	78	M8	32	16	21	36	8	54	4	136
<b>CN 300-78-M8-32-RH</b>	78	M8	32	16	21	36	8	54	4	136

<b>CN 300-78-M8-40-SW</b>	78	M8	40	16	21	36	8	54	4	140
<b>CN 300-78-M8-40-SZ</b>	78	M8	40	16	21	36	8	54	4	140
<b>CN 300-78-M8-40-OS</b>	78	M8	40	16	21	36	8	54	4	140
<b>CN 300-78-M8-40-RS</b>	78	M8	40	16	21	36	8	54	4	140
<b>CN 300-78-M8-40-SR</b>	78	M8	40	16	21	36	8	54	4	140
<b>CN 300-78-M8-40-CR</b>	78	M8	40	16	21	36	8	54	4	140
<b>CN 300-78-M8-40-RH</b>	78	M8	40	16	21	36	8	54	4	140
<b>CN 300-78-M8-50-SW</b>	78	M8	50	16	21	36	8	54	4	143
<b>CN 300-78-M8-50-SZ</b>	78	M8	50	16	21	36	8	54	4	143
<b>CN 300-78-M8-50-OS</b>	78	M8	50	16	21	36	8	54	4	143
<b>CN 300-78-M8-50-RS</b>	78	M8	50	16	21	36	8	54	4	143
<b>CN 300-78-M8-50-SR</b>	78	M8	50	16	21	36	8	54	4	143
<b>CN 300-78-M8-50-CR</b>	78	M8	50	16	21	36	8	54	4	143
<b>CN 300-78-M8-50-RH</b>	78	M8	50	16	21	36	8	54	4	143

<b>CN 300-78-M8-63-SW</b>	78	M8	63	16	21	36	8	54	4	147
<b>CN 300-78-M8-63-SZ</b>	78	M8	63	16	21	36	8	54	4	147
<b>CN 300-78-M8-63-OS</b>	78	M8	63	16	21	36	8	54	4	147
<b>CN 300-78-M8-63-RS</b>	78	M8	63	16	21	36	8	54	4	147
<b>CN 300-78-M8-63-SR</b>	78	M8	63	16	21	36	8	54	4	147
<b>CN 300-78-M8-63-CR</b>	78	M8	63	16	21	36	8	54	4	147
<b>CN 300-78-M8-63-RH</b>	78	M8	63	16	21	36	8	54	4	147
<b>CN 300-78-M8-80-SW</b>	78	M8	80	16	21	36	8	54	4	152
<b>CN 300-78-M8-80-SZ</b>	78	M8	80	16	21	36	8	54	4	152
<b>CN 300-78-M8-80-OS</b>	78	M8	80	16	21	36	8	54	4	152
<b>CN 300-78-M8-80-RS</b>	78	M8	80	16	21	36	8	54	4	152
<b>CN 300-78-M8-80-SR</b>	78	M8	80	16	21	36	8	54	4	152
<b>CN 300-78-M8-80-CR</b>	78	M8	80	16	21	36	8	54	4	152
<b>CN 300-78-M8-80-RH</b>	78	M8	80	16	21	36	8	54	4	152

<b>CN 300-78-M10-16-SW</b>	78	M10	16	16	21	36	8	54	4	135
<b>CN 300-78-M10-16-SZ</b>	78	M10	16	16	21	36	8	54	4	135
<b>CN 300-78-M10-16-OS</b>	78	M10	16	16	21	36	8	54	4	135
<b>CN 300-78-M10-16-RS</b>	78	M10	16	16	21	36	8	54	4	135
<b>CN 300-78-M10-16-SR</b>	78	M10	16	16	21	36	8	54	4	135
<b>CN 300-78-M10-16-CR</b>	78	M10	16	16	21	36	8	54	4	135
<b>CN 300-78-M10-16-RH</b>	78	M10	16	16	21	36	8	54	4	135
<b>CN 300-78-M10-20-SW</b>	78	M10	20	16	21	36	8	54	4	137
<b>CN 300-78-M10-20-SZ</b>	78	M10	20	16	21	36	8	54	4	137
<b>CN 300-78-M10-20-OS</b>	78	M10	20	16	21	36	8	54	4	137
<b>CN 300-78-M10-20-RS</b>	78	M10	20	16	21	36	8	54	4	137
<b>CN 300-78-M10-20-SR</b>	78	M10	20	16	21	36	8	54	4	137
<b>CN 300-78-M10-20-CR</b>	78	M10	20	16	21	36	8	54	4	137
<b>CN 300-78-M10-20-RH</b>	78	M10	20	16	21	36	8	54	4	137

<b>CN 300-78-M10-25-SW</b>	78	M10	25	16	21	36	8	54	4	139
<b>CN 300-78-M10-25-SZ</b>	78	M10	25	16	21	36	8	54	4	139
<b>CN 300-78-M10-25-OS</b>	78	M10	25	16	21	36	8	54	4	139
<b>CN 300-78-M10-25-RS</b>	78	M10	25	16	21	36	8	54	4	139
<b>CN 300-78-M10-25-SR</b>	78	M10	25	16	21	36	8	54	4	139
<b>CN 300-78-M10-25-CR</b>	78	M10	25	16	21	36	8	54	4	139
<b>CN 300-78-M10-25-RH</b>	78	M10	25	16	21	36	8	54	4	139
<b>CN 300-78-M10-32-SW</b>	78	M10	32	16	21	36	8	54	4	142
<b>CN 300-78-M10-32-SZ</b>	78	M10	32	16	21	36	8	54	4	142
<b>CN 300-78-M10-32-OS</b>	78	M10	32	16	21	36	8	54	4	142
<b>CN 300-78-M10-32-RS</b>	78	M10	32	16	21	36	8	54	4	142
<b>CN 300-78-M10-32-SR</b>	78	M10	32	16	21	36	8	54	4	142
<b>CN 300-78-M10-32-CR</b>	78	M10	32	16	21	36	8	54	4	142
<b>CN 300-78-M10-32-RH</b>	78	M10	32	16	21	36	8	54	4	142



<b>CN 300-78-M10-40-SW</b>	78	M10	40	16	21	36	8	54	4	146
<b>CN 300-78-M10-40-SZ</b>	78	M10	40	16	21	36	8	54	4	146
<b>CN 300-78-M10-40-OS</b>	78	M10	40	16	21	36	8	54	4	146
<b>CN 300-78-M10-40-RS</b>	78	M10	40	16	21	36	8	54	4	146
<b>CN 300-78-M10-40-SR</b>	78	M10	40	16	21	36	8	54	4	146
<b>CN 300-78-M10-40-CR</b>	78	M10	40	16	21	36	8	54	4	146
<b>CN 300-78-M10-40-RH</b>	78	M10	40	16	21	36	8	54	4	146
<b>CN 300-78-M10-50-SW</b>	78	M10	50	16	21	36	8	54	4	151
<b>CN 300-78-M10-50-SZ</b>	78	M10	50	16	21	36	8	54	4	151
<b>CN 300-78-M10-50-OS</b>	78	M10	50	16	21	36	8	54	4	151
<b>CN 300-78-M10-50-RS</b>	78	M10	50	16	21	36	8	54	4	151
<b>CN 300-78-M10-50-SR</b>	78	M10	50	16	21	36	8	54	4	151
<b>CN 300-78-M10-50-CR</b>	78	M10	50	16	21	36	8	54	4	151
<b>CN 300-78-M10-50-RH</b>	78	M10	50	16	21	36	8	54	4	151

<b>CN 300-78-M10-63-SW</b>	78	M10	63	16	21	36	8	54	4	157
<b>CN 300-78-M10-63-SZ</b>	78	M10	63	16	21	36	8	54	4	157
<b>CN 300-78-M10-63-OS</b>	78	M10	63	16	21	36	8	54	4	157
<b>CN 300-78-M10-63-RS</b>	78	M10	63	16	21	36	8	54	4	157
<b>CN 300-78-M10-63-SR</b>	78	M10	63	16	21	36	8	54	4	157
<b>CN 300-78-M10-63-CR</b>	78	M10	63	16	21	36	8	54	4	157
<b>CN 300-78-M10-63-RH</b>	78	M10	63	16	21	36	8	54	4	157
<b>CN 300-78-M10-80-SW</b>	78	M10	80	16	21	36	8	54	4	166
<b>CN 300-78-M10-80-SZ</b>	78	M10	80	16	21	36	8	54	4	166
<b>CN 300-78-M10-80-OS</b>	78	M10	80	16	21	36	8	54	4	166
<b>CN 300-78-M10-80-RS</b>	78	M10	80	16	21	36	8	54	4	166
<b>CN 300-78-M10-80-SR</b>	78	M10	80	16	21	36	8	54	4	166
<b>CN 300-78-M10-80-CR</b>	78	M10	80	16	21	36	8	54	4	166
<b>CN 300-78-M10-80-RH</b>	78	M10	80	16	21	36	8	54	4	166

<b>CN 300-78-M12-20-SW</b>	78	M12	20	16	21	36	8	54	4	141
<b>CN 300-78-M12-20-SZ</b>	78	M12	20	16	21	36	8	54	4	141
<b>CN 300-78-M12-20-OS</b>	78	M12	20	16	21	36	8	54	4	141
<b>CN 300-78-M12-20-RS</b>	78	M12	20	16	21	36	8	54	4	141
<b>CN 300-78-M12-20-SR</b>	78	M12	20	16	21	36	8	54	4	141
<b>CN 300-78-M12-20-CR</b>	78	M12	20	16	21	36	8	54	4	141
<b>CN 300-78-M12-20-RH</b>	78	M12	20	16	21	36	8	54	4	141
<b>CN 300-78-M12-25-SW</b>	78	M12	25	16	21	36	8	54	4	145
<b>CN 300-78-M12-25-SZ</b>	78	M12	25	16	21	36	8	54	4	145
<b>CN 300-78-M12-25-OS</b>	78	M12	25	16	21	36	8	54	4	145
<b>CN 300-78-M12-25-RS</b>	78	M12	25	16	21	36	8	54	4	145
<b>CN 300-78-M12-25-SR</b>	78	M12	25	16	21	36	8	54	4	145
<b>CN 300-78-M12-25-CR</b>	78	M12	25	16	21	36	8	54	4	145
<b>CN 300-78-M12-25-RH</b>	78	M12	25	16	21	36	8	54	4	145

<b>CN 300-78-M12-32-SW</b>	78	M12	32	16	21	36	8	54	4	150
<b>CN 300-78-M12-32-SZ</b>	78	M12	32	16	21	36	8	54	4	150
<b>CN 300-78-M12-32-OS</b>	78	M12	32	16	21	36	8	54	4	150
<b>CN 300-78-M12-32-RS</b>	78	M12	32	16	21	36	8	54	4	150
<b>CN 300-78-M12-32-SR</b>	78	M12	32	16	21	36	8	54	4	150
<b>CN 300-78-M12-32-CR</b>	78	M12	32	16	21	36	8	54	4	150
<b>CN 300-78-M12-32-RH</b>	78	M12	32	16	21	36	8	54	4	150
<b>CN 300-78-M12-40-SW</b>	78	M12	40	16	21	36	8	54	4	156
<b>CN 300-78-M12-40-SZ</b>	78	M12	40	16	21	36	8	54	4	156
<b>CN 300-78-M12-40-OS</b>	78	M12	40	16	21	36	8	54	4	156
<b>CN 300-78-M12-40-RS</b>	78	M12	40	16	21	36	8	54	4	156
<b>CN 300-78-M12-40-SR</b>	78	M12	40	16	21	36	8	54	4	156
<b>CN 300-78-M12-40-CR</b>	78	M12	40	16	21	36	8	54	4	156
<b>CN 300-78-M12-40-RH</b>	78	M12	40	16	21	36	8	54	4	156

<b>CN 300-78-M12-50-SW</b>	78	M12	50	16	21	36	8	54	4	163
<b>CN 300-78-M12-50-SZ</b>	78	M12	50	16	21	36	8	54	4	163
<b>CN 300-78-M12-50-OS</b>	78	M12	50	16	21	36	8	54	4	163
<b>CN 300-78-M12-50-RS</b>	78	M12	50	16	21	36	8	54	4	163
<b>CN 300-78-M12-50-SR</b>	78	M12	50	16	21	36	8	54	4	163
<b>CN 300-78-M12-50-CR</b>	78	M12	50	16	21	36	8	54	4	163
<b>CN 300-78-M12-50-RH</b>	78	M12	50	16	21	36	8	54	4	163
<b>CN 300-78-M12-63-SW</b>	78	M12	63	16	21	36	8	54	4	171
<b>CN 300-78-M12-63-SZ</b>	78	M12	63	16	21	36	8	54	4	171
<b>CN 300-78-M12-63-OS</b>	78	M12	63	16	21	36	8	54	4	171
<b>CN 300-78-M12-63-RS</b>	78	M12	63	16	21	36	8	54	4	171
<b>CN 300-78-M12-63-SR</b>	78	M12	63	16	21	36	8	54	4	171
<b>CN 300-78-M12-63-CR</b>	78	M12	63	16	21	36	8	54	4	171
<b>CN 300-78-M12-63-RH</b>	78	M12	63	16	21	36	8	54	4	171

<b>CN 300-78-M12-80-SW</b>	78	M12	80	16	21	36	8	54	4	183
<b>CN 300-78-M12-80-SZ</b>	78	M12	80	16	21	36	8	54	4	183
<b>CN 300-78-M12-80-OS</b>	78	M12	80	16	21	36	8	54	4	183
<b>CN 300-78-M12-80-RS</b>	78	M12	80	16	21	36	8	54	4	183
<b>CN 300-78-M12-80-SR</b>	78	M12	80	16	21	36	8	54	4	183
<b>CN 300-78-M12-80-CR</b>	78	M12	80	16	21	36	8	54	4	183
<b>CN 300-78-M12-80-RH</b>	78	M12	80	16	21	36	8	54	4	183
<b>CN 300-92-M10-16-SW</b>	92	M10	16	19	24	43	11	64	4	193
<b>CN 300-92-M10-16-SZ</b>	92	M10	16	19	24	43	11	64	4	193
<b>CN 300-92-M10-16-OS</b>	92	M10	16	19	24	43	11	64	4	193
<b>CN 300-92-M10-16-RS</b>	92	M10	16	19	24	43	11	64	4	193
<b>CN 300-92-M10-16-SR</b>	92	M10	16	19	24	43	11	64	4	193
<b>CN 300-92-M10-16-CR</b>	92	M10	16	19	24	43	11	64	4	193
<b>CN 300-92-M10-16-RH</b>	92	M10	16	19	24	43	11	64	4	193

<b>CN 300-92-M10-20-SW</b>	92	M10	20	19	24	43	11	64	4	196
<b>CN 300-92-M10-20-SZ</b>	92	M10	20	19	24	43	11	64	4	196
<b>CN 300-92-M10-20-OS</b>	92	M10	20	19	24	43	11	64	4	196
<b>CN 300-92-M10-20-RS</b>	92	M10	20	19	24	43	11	64	4	196
<b>CN 300-92-M10-20-SR</b>	92	M10	20	19	24	43	11	64	4	196
<b>CN 300-92-M10-20-CR</b>	92	M10	20	19	24	43	11	64	4	196
<b>CN 300-92-M10-20-RH</b>	92	M10	20	19	24	43	11	64	4	196
<b>CN 300-92-M10-25-SW</b>	92	M10	25	19	24	43	11	64	4	199
<b>CN 300-92-M10-25-SZ</b>	92	M10	25	19	24	43	11	64	4	199
<b>CN 300-92-M10-25-OS</b>	92	M10	25	19	24	43	11	64	4	199
<b>CN 300-92-M10-25-RS</b>	92	M10	25	19	24	43	11	64	4	199
<b>CN 300-92-M10-25-SR</b>	92	M10	25	19	24	43	11	64	4	199
<b>CN 300-92-M10-25-CR</b>	92	M10	25	19	24	43	11	64	4	199
<b>CN 300-92-M10-25-RH</b>	92	M10	25	19	24	43	11	64	4	199

<b>CN 300-92-M10-32-SW</b>	92	M10	32	19	24	43	11	64	4	203
<b>CN 300-92-M10-32-SZ</b>	92	M10	32	19	24	43	11	64	4	203
<b>CN 300-92-M10-32-OS</b>	92	M10	32	19	24	43	11	64	4	203
<b>CN 300-92-M10-32-RS</b>	92	M10	32	19	24	43	11	64	4	203
<b>CN 300-92-M10-32-SR</b>	92	M10	32	19	24	43	11	64	4	203
<b>CN 300-92-M10-32-CR</b>	92	M10	32	19	24	43	11	64	4	203
<b>CN 300-92-M10-32-RH</b>	92	M10	32	19	24	43	11	64	4	203
<b>CN 300-92-M10-40-SW</b>	92	M10	40	19	24	43	11	64	4	207
<b>CN 300-92-M10-40-SZ</b>	92	M10	40	19	24	43	11	64	4	207
<b>CN 300-92-M10-40-OS</b>	92	M10	40	19	24	43	11	64	4	207
<b>CN 300-92-M10-40-RS</b>	92	M10	40	19	24	43	11	64	4	207
<b>CN 300-92-M10-40-SR</b>	92	M10	40	19	24	43	11	64	4	207
<b>CN 300-92-M10-40-CR</b>	92	M10	40	19	24	43	11	64	4	207
<b>CN 300-92-M10-40-RH</b>	92	M10	40	19	24	43	11	64	4	207



<b>CN 300-92-M10-50-SW</b>	92	M10	50	19	24	43	11	64	4	213
<b>CN 300-92-M10-50-SZ</b>	92	M10	50	19	24	43	11	64	4	213
<b>CN 300-92-M10-50-OS</b>	92	M10	50	19	24	43	11	64	4	213
<b>CN 300-92-M10-50-RS</b>	92	M10	50	19	24	43	11	64	4	213
<b>CN 300-92-M10-50-SR</b>	92	M10	50	19	24	43	11	64	4	213
<b>CN 300-92-M10-50-CR</b>	92	M10	50	19	24	43	11	64	4	213
<b>CN 300-92-M10-50-RH</b>	92	M10	50	19	24	43	11	64	4	213
<b>CN 300-92-M10-63-SW</b>	92	M10	63	19	24	43	11	64	4	218
<b>CN 300-92-M10-63-SZ</b>	92	M10	63	19	24	43	11	64	4	218
<b>CN 300-92-M10-63-OS</b>	92	M10	63	19	24	43	11	64	4	218
<b>CN 300-92-M10-63-RS</b>	92	M10	63	19	24	43	11	64	4	218
<b>CN 300-92-M10-63-SR</b>	92	M10	63	19	24	43	11	64	4	218
<b>CN 300-92-M10-63-CR</b>	92	M10	63	19	24	43	11	64	4	218
<b>CN 300-92-M10-63-RH</b>	92	M10	63	19	24	43	11	64	4	218

<b>CN 300-92-M10-80-SW</b>	92	M10	80	19	24	43	11	64	4	229
<b>CN 300-92-M10-80-SZ</b>	92	M10	80	19	24	43	11	64	4	229
<b>CN 300-92-M10-80-OS</b>	92	M10	80	19	24	43	11	64	4	229
<b>CN 300-92-M10-80-RS</b>	92	M10	80	19	24	43	11	64	4	229
<b>CN 300-92-M10-80-SR</b>	92	M10	80	19	24	43	11	64	4	229
<b>CN 300-92-M10-80-CR</b>	92	M10	80	19	24	43	11	64	4	229
<b>CN300-92-M10-80-RH</b>	92	M10	80	19	24	43	11	64	4	229
<b>CN 300-92-M12-16-SW</b>	92	M12	16	19	24	43	11	64	4	200
<b>CN 300-92-M12-16-SZ</b>	92	M12	16	19	24	43	11	64	4	200
<b>CN 300-92-M12-16-OS</b>	92	M12	16	19	24	43	11	64	4	200
<b>CN 300-92-M12-16-RS</b>	92	M12	16	19	24	43	11	64	4	200
<b>CN 300-92-M12-16-SR</b>	92	M12	16	19	24	43	11	64	4	200
<b>CN 300-92-M12-16-CR</b>	92	M12	16	19	24	43	11	64	4	200
<b>CN 300-92-M12-16-RH</b>	92	M12	16	19	24	43	11	64	4	200

<b>CN 300-92-M12-20-SW</b>	92	M12	20	19	24	43	11	64	4	201
<b>CN 300-92-M12-20-SZ</b>	92	M12	20	19	24	43	11	64	4	201
<b>CN 300-92-M12-20-OS</b>	92	M12	20	19	24	43	11	64	4	201
<b>CN 300-92-M12-20-RS</b>	92	M12	20	19	24	43	11	64	4	201
<b>CN 300-92-M12-20-SR</b>	92	M12	20	19	24	43	11	64	4	201
<b>CN 300-92-M12-20-CR</b>	92	M12	20	19	24	43	11	64	4	201
<b>CN 300-92-M12-20-RH</b>	92	M12	20	19	24	43	11	64	4	201
<b>CN 300-92-M12-25-SW</b>	92	M12	25	19	24	43	11	64	4	206
<b>CN 300-92-M12-25-SZ</b>	92	M12	25	19	24	43	11	64	4	206
<b>CN 300-92-M12-25-OS</b>	92	M12	25	19	24	43	11	64	4	206
<b>CN 300-92-M12-25-RS</b>	92	M12	25	19	24	43	11	64	4	206
<b>CN 300-92-M12-25-SR</b>	92	M12	25	19	24	43	11	64	4	206
<b>CN 300-92-M12-25-CR</b>	92	M12	25	19	24	43	11	64	4	206
<b>CN 300-92-M12-25-RH</b>	92	M12	25	19	24	43	11	64	4	206

<b>CN 300-92-M12-32-SW</b>	92	M12	32	19	24	43	11	64	4	210
<b>CN 300-92-M12-32-SZ</b>	92	M12	32	19	24	43	11	64	4	210
<b>CN 300-92-M12-32-OS</b>	92	M12	32	19	24	43	11	64	4	210
<b>CN 300-92-M12-32-RS</b>	92	M12	32	19	24	43	11	64	4	210
<b>CN 300-92-M12-32-SR</b>	92	M12	32	19	24	43	11	64	4	210
<b>CN 300-92-M12-32-CR</b>	92	M12	32	19	24	43	11	64	4	210
<b>CN 300-92-M12-32-RH</b>	92	M12	32	19	24	43	11	64	4	210
<b>CN 300-92-M12-40-SW</b>	92	M12	40	19	24	43	11	64	4	215
<b>CN 300-92-M12-40-SZ</b>	92	M12	40	19	24	43	11	64	4	215
<b>CN 300-92-M12-40-OS</b>	92	M12	40	19	24	43	11	64	4	215
<b>CN 300-92-M12-40-RS</b>	92	M12	40	19	24	43	11	64	4	215
<b>CN 300-92-M12-40-SR</b>	92	M12	40	19	24	43	11	64	4	215
<b>CN 300-92-M12-40-CR</b>	92	M12	40	19	24	43	11	64	4	215
<b>CN 300-92-M12-40-RH</b>	92	M12	40	19	24	43	11	64	4	215

<b>C 300-92-M12-50-SW</b>	92	M12	50	19	24	43	11	64	4	223
<b>CN 300-92-M12-50-SZ</b>	92	M12	50	19	24	43	11	64	4	223
<b>CN 300-92-M12-50-OS</b>	92	M12	50	19	24	43	11	64	4	223
<b>CN 300-92-M12-50-RS</b>	92	M12	50	19	24	43	11	64	4	223
<b>CN 300-92-M12-50-SR</b>	92	M12	50	19	24	43	11	64	4	223
<b>CN 300-92-M12-50-CR</b>	92	M12	50	19	24	43	11	64	4	223
<b>CN 300-92-M12-50-RH</b>	92	M12	50	19	24	43	11	64	4	223
<b>CN 300-92-M12-63-SW</b>	92	M12	63	19	24	43	11	64	4	232
<b>CN 300-92-M12-63-SZ</b>	92	M12	63	19	24	43	11	64	4	232
<b>CN 300-92-M12-63-OS</b>	92	M12	63	19	24	43	11	64	4	232
<b>CN 300-92-M12-63-RS</b>	92	M12	63	19	24	43	11	64	4	232
<b>CN 300-92-M12-63-SR</b>	92	M12	63	19	24	43	11	64	4	232
<b>CN 300-92-M12-63-CR</b>	92	M12	63	19	24	43	11	64	4	232
<b>CN 300-92-M12-63-RH</b>	92	M12	63	19	24	43	11	64	4	232

<b>CN 300-92-M12-80-SW</b>	92	M12	80	19	24	43	11	64	4	243
<b>CN 300-92-M12-80-SZ</b>	92	M12	80	19	24	43	11	64	4	243
<b>CN 300-92-M12-80-OS</b>	92	M12	80	19	24	43	11	64	4	243
<b>CN 300-92-M12-80-RS</b>	92	M12	80	19	24	43	11	64	4	243
<b>CN 300-92-M12-80-SR</b>	92	M12	80	19	24	43	11	64	4	243
<b>CN 300-92-M12-80-CR</b>	92	M12	80	19	24	43	11	64	4	243
<b>CN 300-92-M12-80-RH</b>	92	M12	80	19	24	43	11	64	4	243
<b>CN 300-92-M16-25-SW</b>	92	M16	25	19	24	43	11	64	4	220
<b>CN 300-92-M16-25-SZ</b>	92	M16	25	19	24	43	11	64	4	220
<b>CN 300-92-M16-25-OS</b>	92	M16	25	19	24	43	11	64	4	220
<b>CN 300-92-M16-25-RS</b>	92	M16	25	19	24	43	11	64	4	220
<b>CN 300-92-M16-25-SR</b>	92	M16	25	19	24	43	11	64	4	220
<b>CN 300-92-M16-25-CR</b>	92	M16	25	19	24	43	11	64	4	220
<b>CN 300-92-M16-25-RH</b>	92	M16	25	19	24	43	11	64	4	220

<b>CN 300-92-M16-32-SW</b>	92	M16	32	19	24	43	11	64	4	228
<b>CN 300-92-M16-32-SZ</b>	92	M16	32	19	24	43	11	64	4	228
<b>CN 300-92-M16-32-OS</b>	92	M16	32	19	24	43	11	64	4	228
<b>CN 300-92-M16-32-RS</b>	92	M16	32	19	24	43	11	64	4	228
<b>CN 300-92-M16-32-SR</b>	92	M16	32	19	24	43	11	64	4	228
<b>CN 300-92-M16-32-CR</b>	92	M16	32	19	24	43	11	64	4	228
<b>CN 300-92-M16-32-RH</b>	92	M16	32	19	24	43	11	64	4	228
<b>CN 300-92-M16-40-SW</b>	92	M16	40	19	24	43	11	64	4	239
<b>CN 300-92-M16-40-SZ</b>	92	M16	40	19	24	43	11	64	4	239
<b>CN 300-92-M16-40-OS</b>	92	M16	40	19	24	43	11	64	4	239
<b>CN 300-92-M16-40-RS</b>	92	M16	40	19	24	43	11	64	4	239
<b>CN 300-92-M16-40-SR</b>	92	M16	40	19	24	43	11	64	4	239
<b>CN 300-92-M16-40-CR</b>	92	M16	40	19	24	43	11	64	4	239
<b>CN 300-92-M16-40-RH</b>	92	M16	40	19	24	43	11	64	4	239

<b>CN 300-92-M16-50-SW</b>	92	M16	50	19	24	43	11	64	4	253
<b>CN 300-92-M16-50-SZ</b>	92	M16	50	19	24	43	11	64	4	253
<b>CN 300-92-M16-50-OS</b>	92	M16	50	19	24	43	11	64	4	253
<b>CN 300-92-M16-50-RS</b>	92	M16	50	19	24	43	11	64	4	253
<b>CN 300-92-M16-50-SR</b>	92	M16	50	19	24	43	11	64	4	253
<b>CN 300-92-M16-50-CR</b>	92	M16	50	19	24	43	11	64	4	253
<b>CN 300-92-M16-50-RH</b>	92	M16	50	19	24	43	11	64	4	253
<b>CN 300-92-M16-63-SW</b>	92	M16	63	19	24	43	11	64	4	260
<b>CN 300-92-M16-63-SZ</b>	92	M16	63	19	24	43	11	64	4	260
<b>CN 300-92-M16-63-OS</b>	92	M16	63	19	24	43	11	64	4	260
<b>CN 300-92-M16-63-RS</b>	92	M16	63	19	24	43	11	64	4	260
<b>CN 300-92-M16-63-SR</b>	92	M16	63	19	24	43	11	64	4	260
<b>CN 300-92-M16-63-CR</b>	92	M16	63	19	24	43	11	64	4	260
<b>CN 300-92-M16-63-RH</b>	92	M16	63	19	24	43	11	64	4	260



<b>CN 300-92-M16-80-SW</b>	92	M16	80	19	24	43	11	64	4	287
<b>CN 300-92-M16-80-SZ</b>	92	M16	80	19	24	43	11	64	4	287
<b>CN 300-92-M16-80-OS</b>	92	M16	80	19	24	43	11	64	4	287
<b>CN 300-92-M16-80-RS</b>	92	M16	80	19	24	43	11	64	4	287
<b>CN 300-92-M16-80-SR</b>	92	M16	80	19	24	43	11	64	4	287
<b>CN 300-92-M16-80-CR</b>	92	M16	80	19	24	43	11	64	4	287
<b>CN 300-92-M16-80-RH</b>	92	M16	80	19	24	43	11	64	4	287
<b>CN 300-108-M12-25-SW</b>	108	M12	25	23	30	50.5	12	75	5	338
<b>CN 300-108-M12-25-SZ</b>	108	M12	25	23	30	50.5	12	75	5	338
<b>CN 300-108-M12-25-OS</b>	108	M12	25	23	30	50.5	12	75	5	338
<b>CN 300-108-M12-25-RS</b>	108	M12	25	23	30	50.5	12	75	5	338
<b>CN 300-108-M12-25-SR</b>	108	M12	25	23	30	50.5	12	75	5	338
<b>CN 300-108-M12-25-CR</b>	108	M12	25	23	30	50.5	12	75	5	338
<b>CN 300-108-M12-25-RH</b>	108	M12	25	23	30	50.5	12	75	5	338

<b>CN 300-108-M12-32-SW</b>	108	M12	32	23	30	50.5	12	75	5	343
<b>CN 300-108-M12-32-SZ</b>	108	M12	32	23	30	50.5	12	75	5	343
<b>CN 300-108-M12-32-OS</b>	108	M12	32	23	30	50.5	12	75	5	343
<b>CN 300-108-M12-32-RS</b>	108	M12	32	23	30	50.5	12	75	5	343
<b>CN 300-108-M12-32-SR</b>	108	M12	32	23	30	50.5	12	75	5	343
<b>CN 300-108-M12-32-CR</b>	108	M12	32	23	30	50.5	12	75	5	343
<b>CN 300-108-M12-32-RH</b>	108	M12	32	23	30	50.5	12	75	5	343
<b>CN 300-108-M12-40-SW</b>	108	M12	40	23	30	50.5	12	75	5	349
<b>CN 300-108-M12-40-SZ</b>	108	M12	40	23	30	50.5	12	75	5	349
<b>CN 300-108-M12-40-OS</b>	108	M12	40	23	30	50.5	12	75	5	349
<b>CN 300-108-M12-40-RS</b>	108	M12	40	23	30	50.5	12	75	5	349
<b>CN 300-108-M12-40-SR</b>	108	M12	40	23	30	50.5	12	75	5	349
<b>CN 300-108-M12-40-CR</b>	108	M12	40	23	30	50.5	12	75	5	349
<b>CN 300-108-M12-40-RH</b>	108	M12	40	23	30	50.5	12	75	5	349

<b>CN 300-108-M12-50-SW</b>	108	M12	50	23	30	50.5	12	75	5	356
<b>CN 300-108-M12-50-SZ</b>	108	M12	50	23	30	50.5	12	75	5	356
<b>CN 300-108-M12-50-OS</b>	108	M12	50	23	30	50.5	12	75	5	356
<b>CN 300-108-M12-50-RS</b>	108	M12	50	23	30	50.5	12	75	5	356
<b>CN 300-108-M12-50-SR</b>	108	M12	50	23	30	50.5	12	75	5	356
<b>CN 300-108-M12-50-CR</b>	108	M12	50	23	30	50.5	12	75	5	356
<b>CN 300-108-M12-50-RH</b>	108	M12	50	23	30	50.5	12	75	5	356
<b>CN 300-108-M12-63-SW</b>	108	M12	63	23	30	50.5	12	75	5	364
<b>CN 300-108-M12-63-SZ</b>	108	M12	63	23	30	50.5	12	75	5	364
<b>CN 300-108-M12-63-OS</b>	108	M12	63	23	30	50.5	12	75	5	364
<b>CN 300-108-M12-63-RS</b>	108	M12	63	23	30	50.5	12	75	5	364
<b>CN 300-108-M12-63-SR</b>	108	M12	63	23	30	50.5	12	75	5	364
<b>CN 300-108-M12-63-CR</b>	108	M12	63	23	30	50.5	12	75	5	364
<b>CN 300-108-M12-63-RH</b>	108	M12	63	23	30	50.5	12	75	5	364

<b>CN 300-108-M12-80-SW</b>	108	M12	80	23	30	50.5	12	75	5	376
<b>CN 300-108-M12-80-SZ</b>	108	M12	80	23	30	50.5	12	75	5	376
<b>CN 300-108-M12-80-OS</b>	108	M12	80	23	30	50.5	12	75	5	376
<b>CN 300-108-M12-80-RS</b>	108	M12	80	23	30	50.5	12	75	5	376
<b>CN 300-108-M12-80-SR</b>	108	M12	80	23	30	50.5	12	75	5	376
<b>CN 300-108-M12-80-CR</b>	108	M12	80	23	30	50.5	12	75	5	376
<b>CN 300-108-M12-80-RH</b>	108	M12	80	23	30	50.5	12	75	5	376
<b>CN 300-108-M12-120-SW</b>	108	M12	120	23	30	50.5	12	75	5	403
<b>CN 300-108-M12-120-SZ</b>	108	M12	120	23	30	50.5	12	75	5	403
<b>CN 300-108-M12-120-OS</b>	108	M12	120	23	30	50.5	12	75	5	403
<b>CN 300-108-M12-120-RS</b>	108	M12	120	23	30	50.5	12	75	5	403
<b>CN 300-108-M12-120-SR</b>	108	M12	120	23	30	50.5	12	75	5	403
<b>CN 300-108-M12-120-CR</b>	108	M12	120	23	30	50.5	12	75	5	403
<b>CN 300-108-M12-120-RH</b>	108	M12	120	23	30	50.5	12	75	5	403

<b>CN 300-108-M16-25-SW</b>	108	M16	25	23	30	50.5	12	75	5	350
<b>CN 300-108-M16-25-SZ</b>	108	M16	25	23	30	50.5	12	75	5	350
<b>CN 300-108-M16-25-OS</b>	108	M16	25	23	30	50.5	12	75	5	350
<b>CN 300-108-M16-25-RS</b>	108	M16	25	23	30	50.5	12	75	5	350
<b>CN 300-108-M16-25-SR</b>	108	M16	25	23	30	50.5	12	75	5	350
<b>CN 300-108-M16-25-CR</b>	108	M16	25	23	30	50.5	12	75	5	350
<b>CN 300-108-M16-25-RH</b>	108	M16	25	23	30	50.5	12	75	5	350
<b>CN 300-108-M16-32-SW</b>	108	M16	32	23	30	50.5	12	75	5	358
<b>CN 300-108-M16-32-SZ</b>	108	M16	32	23	30	50.5	12	75	5	358
<b>CN 300-108-M16-32-OS</b>	108	M16	32	23	30	50.5	12	75	5	358
<b>CN 300-108-M16-32-RS</b>	108	M16	32	23	30	50.5	12	75	5	358
<b>CN 300-108-M16-32-SR</b>	108	M16	32	23	30	50.5	12	75	5	358
<b>CN 300-108-M16-32-CR</b>	108	M16	32	23	30	50.5	12	75	5	358
<b>CN 300-108-M16-32-RH</b>	108	M16	32	23	30	50.5	12	75	5	358

<b>CN 300-108-M16-40-SW</b>	108	M16	40	23	30	50.5	12	75	5	369
<b>CN 300-108-M16-40-SZ</b>	108	M16	40	23	30	50.5	12	75	5	369
<b>CN 300-108-M16-40-OS</b>	108	M16	40	23	30	50.5	12	75	5	369
<b>CN 300-108-M16-40-RS</b>	108	M16	40	23	30	50.5	12	75	5	369
<b>CN 300-108-M16-40-SR</b>	108	M16	40	23	30	50.5	12	75	5	369
<b>CN 300-108-M16-40-CR</b>	108	M16	40	23	30	50.5	12	75	5	369
<b>CN 300-108-M16-40-RH</b>	108	M16	40	23	30	50.5	12	75	5	369
<b>CN 300-108-M16-50-SW</b>	108	M16	50	23	30	50.5	12	75	5	381
<b>CN 300-108-M16-50-SZ</b>	108	M16	50	23	30	50.5	12	75	5	381
<b>CN 300-108-M16-50-OS</b>	108	M16	50	23	30	50.5	12	75	5	381
<b>CN 300-108-M16-50-RS</b>	108	M16	50	23	30	50.5	12	75	5	381
<b>CN 300-108-M16-50-SR</b>	108	M16	50	23	30	50.5	12	75	5	381
<b>CN 300-108-M16-50-CR</b>	108	M16	50	23	30	50.5	12	75	5	381
<b>CN 300-108-M16-50-RH</b>	108	M16	50	23	30	50.5	12	75	5	381

<b>CN 300-108-M16-63-SW</b>	108	M16	63	23	30	50.5	12	75	5	400
<b>CN 300-108-M16-63-SZ</b>	108	M16	63	23	30	50.5	12	75	5	400
<b>CN 300-108-M16-63-OS</b>	108	M16	63	23	30	50.5	12	75	5	400
<b>CN 300-108-M16-63-RS</b>	108	M16	63	23	30	50.5	12	75	5	400
<b>CN 300-108-M16-63-SR</b>	108	M16	63	23	30	50.5	12	75	5	400
<b>CN 300-108-M16-63-CR</b>	108	M16	63	23	30	50.5	12	75	5	400
<b>CN 300-108-M16-63-RH</b>	108	M16	63	23	30	50.5	12	75	5	400
<b>CN 300-108-M16-80-SW</b>	108	M16	80	23	30	50.5	12	75	5	422
<b>CN 300-108-M16-80-SZ</b>	108	M16	80	23	30	50.5	12	75	5	422
<b>CN 300-108-M16-80-OS</b>	108	M16	80	23	30	50.5	12	75	5	422
<b>CN 300-108-M16-80-RS</b>	108	M16	80	23	30	50.5	12	75	5	422
<b>CN 300-108-M16-80-SR</b>	108	M16	80	23	30	50.5	12	75	5	422
<b>CN 300-108-M16-80-CR</b>	108	M16	80	23	30	50.5	12	75	5	422
<b>CN 300-108-M16-80-RH</b>	108	M16	80	23	30	50.5	12	75	5	422

<b>CN 300-108-M16-120-SW</b>	108	M16	120	23	30	50.5	12	75	5	484
<b>CN 300-108-M16-120-SZ</b>	108	M16	120	23	30	50.5	12	75	5	484
<b>CN 300-108-M16-120-OS</b>	108	M16	120	23	30	50.5	12	75	5	484
<b>CN 300-108-M16-120-RS</b>	108	M16	120	23	30	50.5	12	75	5	484
<b>CN 300-108-M16-120-SR</b>	108	M16	120	23	30	50.5	12	75	5	484
<b>CN 300-108-M16-120-CR</b>	108	M16	120	23	30	50.5	12	75	5	484
<b>CN 300-108-M16-120-RH</b>	108	M16	120	23	30	50.5	12	75	5	484