

CN 717

BOTÃO INDEXADOR

Aço / Aço Inoxidável, com e sem posição de descanso

- Tipo **A**: com anel de elevação, sem porca de segurança
- Tipo **AK**: com anel de elevação, com porca de segurança
- Tipo **B**: sem posição de repouso (botão), sem porca de segurança
- Tipo **BK**: sem posição de repouso (botão), com porca de segurança
- Tipo **C**: com posição de repouso (botão), sem porca de segurança
- Tipo **CK**: com posição de repouso (botão), com porca de segurança
- Tipo **D**: com alça de arame, sem porca de segurança
- Tipo **DK**: com alça de arame, com porca de segurança

Alfinete

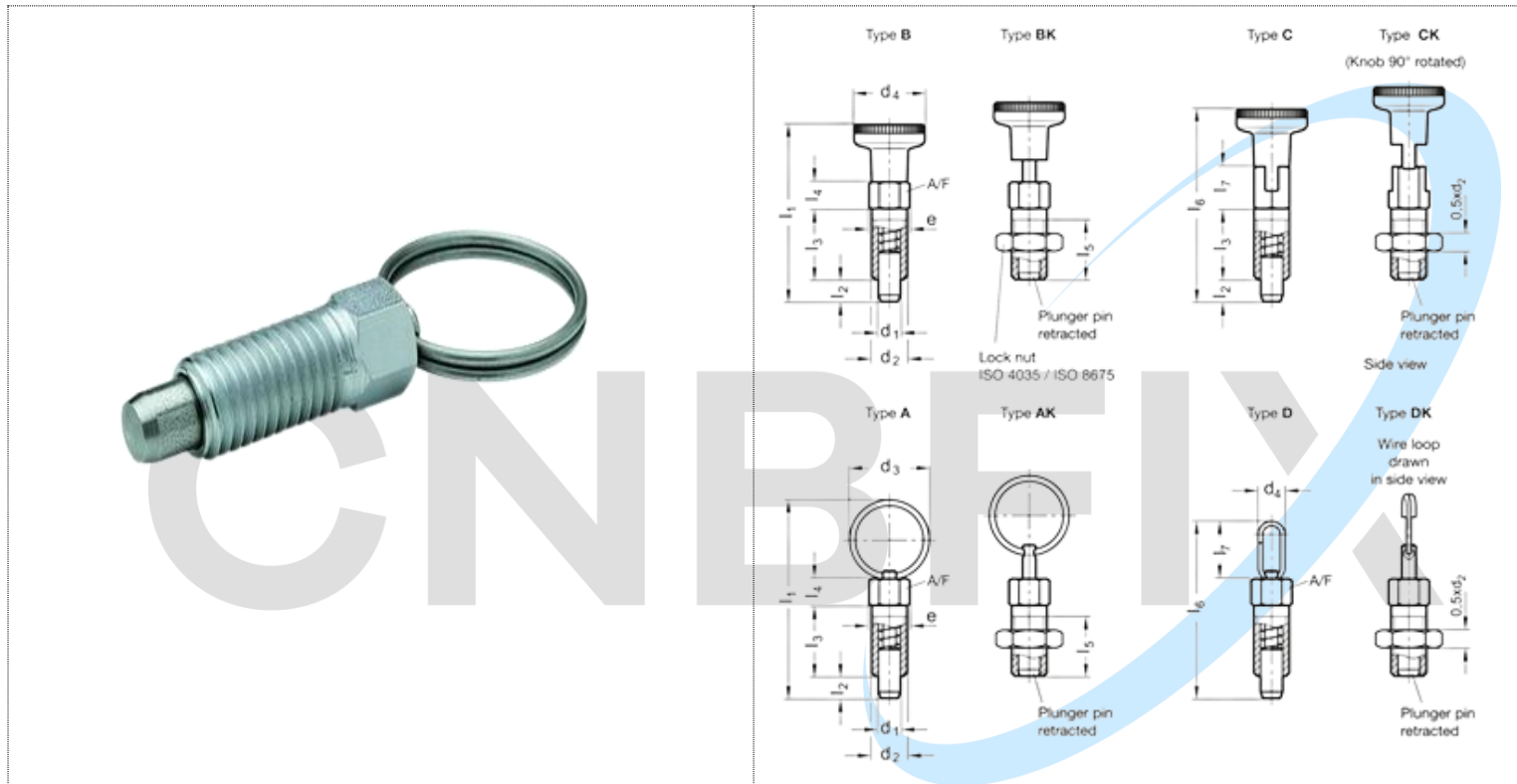
Aço inoxidável AISI 303


Primavera

Aço Inoxidável AISI 301

Anel de elevação / Laço de arame

Aço Inoxidável AISI 301



Descrição	d ₁ Pino - 0,02/-0,05 Furo H7	d ₂	d ₃	d ₄	e	eu ₁	eu ₂	eu ₃	eu ₄	5 min .	eu ₆	eu ₇	A/F	Torque de aperto máximo em Nm	Carga da mola em N ≈ inicial	Carga de mola em N ≈ final	
CN 717-3-M6-A-ST	3	M 6	14	-	6.9	30	3.5	12	4.5	10	-	-	6	2	3	12	4
CN 717-3-M6x0,75-A-ST	3	M 6 X 0.75	14	-	6.9	30	3.5	12	4.5	10	-	-	6	3	3	12	4
CN 717-4-M6-A-ST	4	M 6	14	-	6.9	30.5	4	12	4.5	10	-	-	6	2	3	12	4
CN 717-4-M8x1-A-ST	4	M 8 x 1	14	-	9.2	39.5	4.5	16	6	13.5	-	-	8	8	5	24	9
CN 717-5-M8-A-ST	5	M 8	18	-	9.2	40	5	16	6	13.5	-	-	8	7	5	24	8
CN 717-5-M8x1-A-ST	5	M 8 x 1	18	-	9.2	40	5	16	6	13.5	-	-	8	7	5	24	8
CN 717-5-M10x1-A-ST	5	M 10 x 1	18	-	11.5	42.5	5	16	6	13.5	-	-	10	22	5	24	13
CN 717-6-M10-A-ST	6	M 10	24	-	11.5	49	6	20	7.5	17	-	-	10	15	5	21	17
CN 717-6-M12x1,5-A-ST	6	M 12 X 1,5	24	-	13.8	52	6	20	7,5	16,5	-	-	12	38	5	21	23

CN 717-8-M12-A-ST	8	M 12	30	-	13.8	59	8	24	9	20,5	-	-	12	20	6	22	31
CN 717-8-M12x1,5-A-ST	8	M 12 x 1,5	30	-	13.8	59	8	24	9	20,5	-	-	12	20	6	22	32
CN 717-8-M16x1,5-A-ST	8	M 16 x 1,5	30	-	19.6	63,5	8	24	9	20,5	-	-	17	80	6	22	54
CN 717-10-M16x1,5-A-ST	10	M 16 x 1,5	30	-	19.6	67,5	10	26	9	22,5	-	-	17	80	4	25	55
CN 717-3-M6-AK-ST	3	M 6	14	-	6.9	30	3.5	12	4.5	10	-	-	6	2	3	12	2
CN 717-3-M6x0,75-AK-ST	3	M 6 x 0,75	14	-	6.9	30	3.5	12	4.5	10	-	-	6	3	3	12	6
CN 717-4-M6-AK-ST	4	M 6	14	-	6.9	30,5	4	12	4.5	10	-	-	6	2	3	12	5
CN 717-4-M8x1-AK-ST	4	M 8 x 1	18	-	9.2	39,5	4.5	16	6	13,5	-	-	8	8	5	24	11
CN 717-5-M8-AK-ST	5	M 8	18	-	9.2	40	5	16	6	13,5	-	-	8	7	5	24	11
CN 717-5-M8x1-AK-ST	5	M 8 x 1	18	-	9.2	40	5	16	6	13,5	-	-	8	7	5	24	13
CN 717-5-M10x1-AK-ST	5	M 10 x 1	18	-	11,5	42,5	5	16	6	13,5	-	-	10	22	5	24	18
CN 717-6-M10-AK-ST	6	M 10	24	-	11,5	49	6	20	7,5	17	-	-	10	15	5	21	22
CN 717-6-M12x1,5-AK-ST	6	M 12 x 1,5	24	-	13.8	52	6	20	7,5	16,5	-	-	12	38	5	21	31
CN 717-8-M12-AK-ST	8	M 12	30	-	13.8	59	8	24	9	20,5	-	-	12	20	6	22	38

CN 717-8-M12x1,5-AK-ST	8	M 12 X 1.5	30	-	13.8	59	8	24	9	20.5	-	-	12	20	6	22	39
CN 717-8-M16x1,5-AK-ST	8	M 16 X 1.5	30	-	19.6	63.5	8	24	9	20.5	-	-	17	80	6	22	70
CN 717-10-M16x1,5-AK-ST	10	M 16 X 1.5	30	-	19.6	67.5	10	26	9	22.5	-	-	17	80	4	27	70
CN 717-3-M6-B-ST	3	M 6	-	12	6.9	30	3.5	12	4.5	10	-	-	6	2	3	12	4
CN 717-3-M6x0,75-B-ST	3	M 6 X 0.75	-	12	6.9	30	3.5	12	4.5	10	-	-	6	3	3	12	4
CN 717-4-M6-B-ST	4	M 6	-	12	6.9	30.5	4	12	4.5	10	-	-	6	2	3	12	4
CN 717-4-M8x1-B-ST	4	M 8 X 1	-	16	9.2	39.5	4.5	16	6	13.5	-	-	8	8	5	24	9
CN 717-5-M8-B-ST	5	M 8	-	16	9.2	40	5	16	6	13.5	-	-	8	7	5	24	10
CN 717-5-M8x1-B-ST	5	M 8 X 1	-	16	9.2	40	5	16	6	13.5	-	-	8	7	5	24	10
CN 717-5-M10x1-B-ST	5	M 10 X 1	-	18	11.5	42.5	5	16	6	13.5	-	-	10	22	5	24	15
CN 717-6-M10-B-ST	6	M 10	-	18	11.5	49	6	20	7.5	17	-	-	10	15	5	21	18
CN 717-6-M12x1,5-B-ST	6	M 12 X 1.5	-	21	13.8	52	6	20	7.5	16.5	-	-	12	38	5	21	26
CN 717-8-M12-B-ST	8	M 12	-	21	13.8	59	8	24	9	20.5	-	-	12	20	6	22	32
CN 717-8-M12x1,5-B-ST	8	M 12 X 1.5	-	21	13.8	59	8	24	9	20.5	-	-	12	20	6	22	32

CN 717-8-M16x1,5-B-ST	8	M 16 X 1.5	-	25	19.6	63.5	8	24	9	20.5	-	-	17	80	6	22	54
CN 717-10-M16x1,5-B-ST	10	M 16X 1.5	-	25	19.6	67.5	10	26	9	22.5	-	-	17	80	4	27	62
CN 717-3-M6-BK-ST	3	M 6	-	12	6.9	30	3.5	12	4.5	10	-	-	6	2	3	12	5
CN 717-3-M6x0,75-BK-ST	3	M 6 X 0.75	-	12	6.9	30	3.5	12	4.5	10	-	-	6	3	3	12	6
CN 717-4-M6-BK-ST	4	M 6	-	12	6.9	30.5	4	12	4.5	10	-	-	6	3	3	12	5
CN 717-4-M8x1-BK-ST	4	M 8 X 1	-	16	9.2	39.5	4.5	16	6	13.5	-	-	8	8	5	24	12
CN 717-5-M8-BK-ST	5	M 8	-	16	9.2	40	5	16	6	13.5	-	-	8	7	5	24	10
CN 717-5-M8x1-BK-ST	5	M 8 X 1	-	16	9.2	40	5	16	6	13.5	-	-	8	7	5	24	13
CN 717-5-M10x1-BK-ST	5	M 10 X 1	-	18	11.5	42.5	5	16	6	13.5	-	-	10	22	5	24	20
CN 717-6-M10-BK-ST	6	M 10	-	18	11.5	49	6	20	7.5	17	-	-	10	15	5	21	23
CN 717-6-M12x1,5-BK-ST	6	M 12 X 1.5	-	21	13.8	52	6	20	7.5	16.5	-	-	12	38	5	21	35
CN 717-8-M12-BK-ST	8	M 12	-	21	13.8	59	8	24	9	20.5	-	-	12	20	6	22	38
CN 717-8-M12x1,5-BK-ST	8	M 12 X 1.5	-	21	13.8	59	8	24	9	20.5	-	-	12	20	6	22	40
CN 717-8-M16x1,5-BK-ST	8	M 16 X 1.5	-	25	19.6	63.5	8	24	9	20.5	-	-	17	80	6	22	75

CN 717-10-M16x1,5-BK-ST	10	M 16 X 1.5	-	25	19.6	67.5	10	26	9	22.5	-	-	17	80	4	27	66
CN 717-3-M6-C-ST	3	M 6	-	12	6.9	-	3.5	12	-	10	32.9	7	6	2	3	12	4
CN 717-3-M6x0,75-C-ST	3	M 6 X 0.75	-	12	6.9	-	3.5	12	-	10	32.9	7	6	3	3	12	5
CN 717-4-M6-C-ST	4	M6	-	12	6.9	-	4	12	-	10	33.4	7	6	2	3	12	4
CN 717-4-M8x1-C-ST	4	M 8 X 1	-	16	9.2	-	4.5	16	-	13.5	42	9.5	8	8	5	24	10
CN 717-5-M8-C-ST	5	M 8	-	16	9.2	-	5	16	-	13.5	42.5	9.5	8	7	5	24	10
CN 717-5-M8x1-C-ST	5	M 8 X1	-	16	9.2	-	5	16	-	13.5	42.5	9.5	8	7	5	24	10
CN 717-5-M10x1-C-ST	5	M 10 X1	-	18	11.5	-	5	16	-	13.5	42.5	9.5	10	22	5	24	16
CN 717-6-M10-C-ST	6	M 10	-	18	11.5	-	6	20	-	17	54.4	10.5	10	15	5	21	18
CN 717-6-M12x1,5-C-ST	6	M 12 X 1.5	-	21	13.8	-	6	20	-	16.5	54.4	10.5	12	38	5	21	27
CN 717-8-M12-C-ST	8	M 12	-	21	13.8	-	8	24	-	20.5	66.9	13.5	12	20	6	22	34
CN 717-8-M12x1,5-C-ST	8	M 12 X 1.5	-	21	13.8	-	8	24	-	20.5	66.9	13.5	12	20	6	22	32
CN 717-8-M16x1,5-C-ST	8	M 16 X 1.5	-	25	19.6	-	8	24	-	20.5	66.9	13.5	17	80	6	22	60

CN 717-10-M16x1,5-C-ST	10	M 16 X 1.5	-	25	19.6	-	10	26	-	22.5	70.9	14	17	80	4	27	50
CN 717-3-M6-CK-ST	3	M 6	-	12	6.9	-	3.5	12	-	10	32.9	7	6	2	3	12	6
CN 717-3-M6x0,75-CK-ST	3	M 6 X 0,75	-	12	6.9	-	3.5	12	-	10	32.9	7	6	3	3	12	6
CN 717-4-M6-CK-ST	4	M 6	-	12	6.9	-	4	12	-	10	33.4	7	6	2	3	12	5
CN 717-4-M8x1-CK-ST	4	M 8 X 1	-	16	9.2	-	4.5	16	-	13.5	42	9.5	8	8	5	24	13
CN 717-5-M8-CK-ST	5	M 8	-	16	9.2	-	5	16	-	13.5	42.5	9.5	8	7	5	24	13
CN 717-5-M8x1-CK-ST	5	M 8 X 1	-	16	9.2	-	5	16	-	13.5	42.5	9.5	8	7	5	24	13
CN 717-5-M10x1-CK-ST	5	M 10 X 1	-	18	11.5	-	5	16	-	13.5	42.5	9.5	10	22	5	24	19
CN 717-6-M10-CK-ST	6	M 10	-	18	11.5	-	6	20	-	17	54.4	10.5	10	15	5	21	24
CN 717-6-M12x1,5-CK-ST	6	M 12 X 1.5	-	21	13.8	-	6	20	-	16.5	54.4	10.5	12	38	5	21	35
CN 717-8-M12-CK-ST	8	M 12	-	21	13.8	-	8	24	-	20.5	66.9	13.5	12	20	6	22	40
CN 717-8-M12x1,5-CK-ST	8	M 12 X 1.5	-	21	13.8	-	8	24	-	20.5	66.9	13.5	12	20	6	22	57
CN 717-8-M16x1,5-CK-ST	8	M 16 X 1.5	-	25	19.6	-	8	24	-	20.5	66.9	13.5	17	80	6	22	78
CN 717-10-M16x1,5-CK-ST	10	M 16 X 1.5	-	25	19.6	-	10	26	-	22.5	70.9	14	17	80	4	27	84

CN 717-3-M6-D-ST	3	M 6	-	6	6.9	-	3.5	12	-	10	32.9	12.9	6	2	3	12	4
CN 717-3-M6x0,75-D-ST	3	M 6 X 0.75	-	6	6.9	-	3.5	12	-	10	32.9	12.9	6	3	3	12	5
CN 717-4-M6-D-ST	4	M 6	-	6	6.9	-	4	12	-	10	33.4	12.9	6	2	3	12	4
CN 717-4-M8x1-D-ST	4	M 8 X 1	-	6	9.2	-	4.5	16	-	13.5	42	15.5	8	8	5	24	9
CN 717-5-M8-D-ST	5	M 8	-	7.2	9.2	-	5	16	-	13.5	42.5	15.5	8	7	5	24	9
CN 717-5-M8x1-D-ST	5	M 8 X 1	-	7.2	9.2	-	5	16	-	13.5	42.5	15.5	8	7	5	24	9
CN 717-5-M10x1-D-ST	5	M 10 X 1	-	7.2	11.5	-	5	16	-	13.5	42.5	15.5	10	22	5	24	17
CN 717-6-M10-D-ST	6	M 10	-	9.5	11.5	-	6	20	-	17	54.4	20.9	10	15	5	21	15
CN 717-6-M12x1,5-D-ST	6	M 12 X 1.5	-	9.5	13.8	-	6	20	-	16.5	54.4	20.9	12	38	5	21	22
CN 717-8-M12-D-ST	8	M 12	-	11.8	13.8	-	8	24	-	20.5	66.9	25.9	12	20	6	22	26
CN 717-8-M12x1,5-D-ST	8	M 12 X 1.5	-	11.8	13.8	-	8	24	-	20.5	66.9	25.9	12	20	6	22	29
CN 717-8-M16x1,5-D-ST	8	M 16 X 1.5	-	11.8	19.6	-	8	24	-	20.5	66.9	25.9	17	80	6	22	52
CN 717-10-M16x1,5-D-ST	10	M 16 X 1.5	-	11.8	19.6	-	10	26	-	22.5	70.9	25.9	17	80	4	27	54
CN 717-3-M6-DK-ST	3	M 6	-	6	6.9	-	3.5	12	-	10	32.9	12.9	6	2	3	12	5

CN 717-3-M6x0,75-DK-ST	3	M 6 X 0,75	-	6	6.9	-	3.5	12	-	10	32.9	12.9	6	3	3	12	5
CN 717-4-M6-DK-ST	4	M 6	-	6	6.9	-	4	12	-	10	33.4	12.9	6	2	3	12	5
CN 717-4-M8x1-DK-ST	4	M 8 X 1	-	6	9.2	-	4.5	16	-	13.5	42	15.5	8	8	5	24	12
CN 717-5-M8-DK-ST	5	M 8	-	7.2	9.2	-	5	16	-	13.5	42.5	15.5	8	7	5	24	12
CN 717-5-M8x1-DK-ST	5	M 8 X 1	-	7.2	9.2	-	5	16	-	13.5	42.5	15.5	8	7	5	24	12
CN 717-5-M10x1-DK-ST	5	M 10 X 1	-	7.2	11.5	-	5	16	-	13.5	42.5	15.5	10	22	5	24	19
CN 717-6-M10-DK-ST	6	M 10	-	9.5	11.5	-	6	20	-	17	54.4	20.9	10	15	5	21	22
CN 717-6-M12x1,5-DK-ST	6	M 12 x 1.5	-	9.5	13.8	-	6	20	-	16.5	54.4	20.9	12	38	5	21	33
CN 717-8-M12-DK-ST	8	M 12	-	11.8	13.8	-	8	24	-	20.5	66.9	25.9	12	20	6	22	42
CN 717-8-M12x1,5-DK-ST	8	M 12 x 1.5	-	11.8	13.8	-	8	24	-	20.5	66.9	25.9	12	20	6	22	42
CN 717-8-M16x1,5-DK-ST	8	M 16 x 1.5	-	11.8	19.6	-	8	24	-	20.5	66.9	25.9	17	80	6	22	76
CN 717-10-M16x1,5-DK-ST	10	M 16 x 1.5	-	11.8	19.6	-	10	26	-	22.5	70.9	25.9	17	80	4	27	78